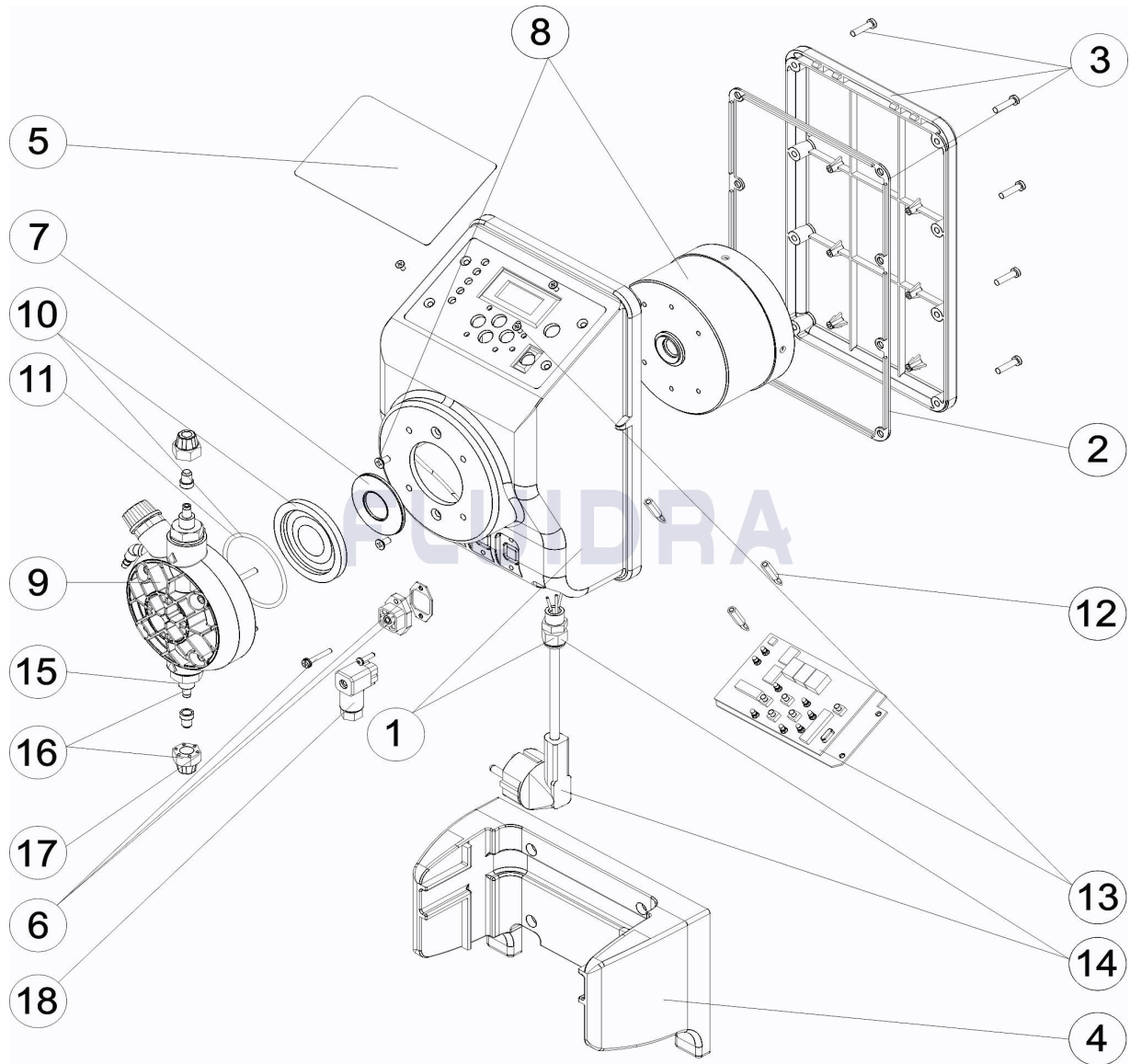


CODIGO **32365, 32366, 32367, 32368, 32369**

DESCRIPCION: **BOMBA DOSIFICADORA EXACTUS MANUAL MICROPROCESADA**



ESPAÑOL

POS	CODIGO	DESCRIPCION	CANTIDAD	POS	CODIGO	DESCRIPCION	CANTIDAD
1	4408031101	CAJA BOMBA EXACTUS		9	* 4408031205	CABEZAL COMPLETO	
2	4408031102	JUNTA CAJA BOMBA		9	* 4408030409	CABEZAL COMPLETO 20L. 5KG.	
3	4408031103	TAPA TRASERA BOMBA		10	* 4408030119	MEMBRANA COMPLETA	
4	4408031104	SOPORTE BOMBA		10	* 4408030429	MEMBRANA COMPLETA 20L 5KG	
5	4408031506	PANEL TACTIL RX/M		11	* 4408030111	JUNTA TORICA CABEZAL	
6	4408031217	CONECTOR		11	* 4408030413	JUNTA TORICA CABEZAL 20L 5KG	
7	* 4408031119	ARANDELA PISTON 2L 5KG - 2L 10KG - 5L 1		12	4408031204	DISTANCIADOR PANEL TACTIL 17M/M.	
7	* 4408030531	ARANDELA PISTON 5L 7KG		13	4408031701	CIRCUITO ELECTRONICO DLX-MA/MB	
7	* 4408031121	ARANDELA PISTON 10L 5KG		14	4408031221	CABLE ALIMENTACION	
7	* 4408031122	ARANDELA PISTON 20L 5KG		15	4408030115	VALVULA DUTRAL + SOPORTE	
8	* 4408031112	ELECTROIMAN 2L 10KG		15	4408030116	VALVULA VITON + SOPORTE	
8	* 4408030118	ELECTROIMAN COMPLETO 5L 7KG		15	4408030117	VALVULA SILICONA + SOPORTE	
8	* 4408031114	ELECTROIMAN 5L 10KG		16	4408030112	CUERPO RACORD + DUTRAL	

*** NOTA OBSERVACIONES**

CODIGO 32365, 32366, 32367, 32368, 32369

DESCRIPCION: BOMBA DOSIFICADORA EXACTUS MANUAL MICROPROCESADA

8	* 4408030517	ELECTROIMAN 10L 5KG	16	4408030113	CUERPO RACORD + VITON
8	* 4408031116	ELECTROIMAN 25366	16	4408030114	CUERPO RACORD + SILICONA
17	4408030126	TUERCA SUJECCION TUBO	18	4408031729	CONECTOR DE NIVEL

CODIGO 32365, 32366, 32367, 32368, 32369

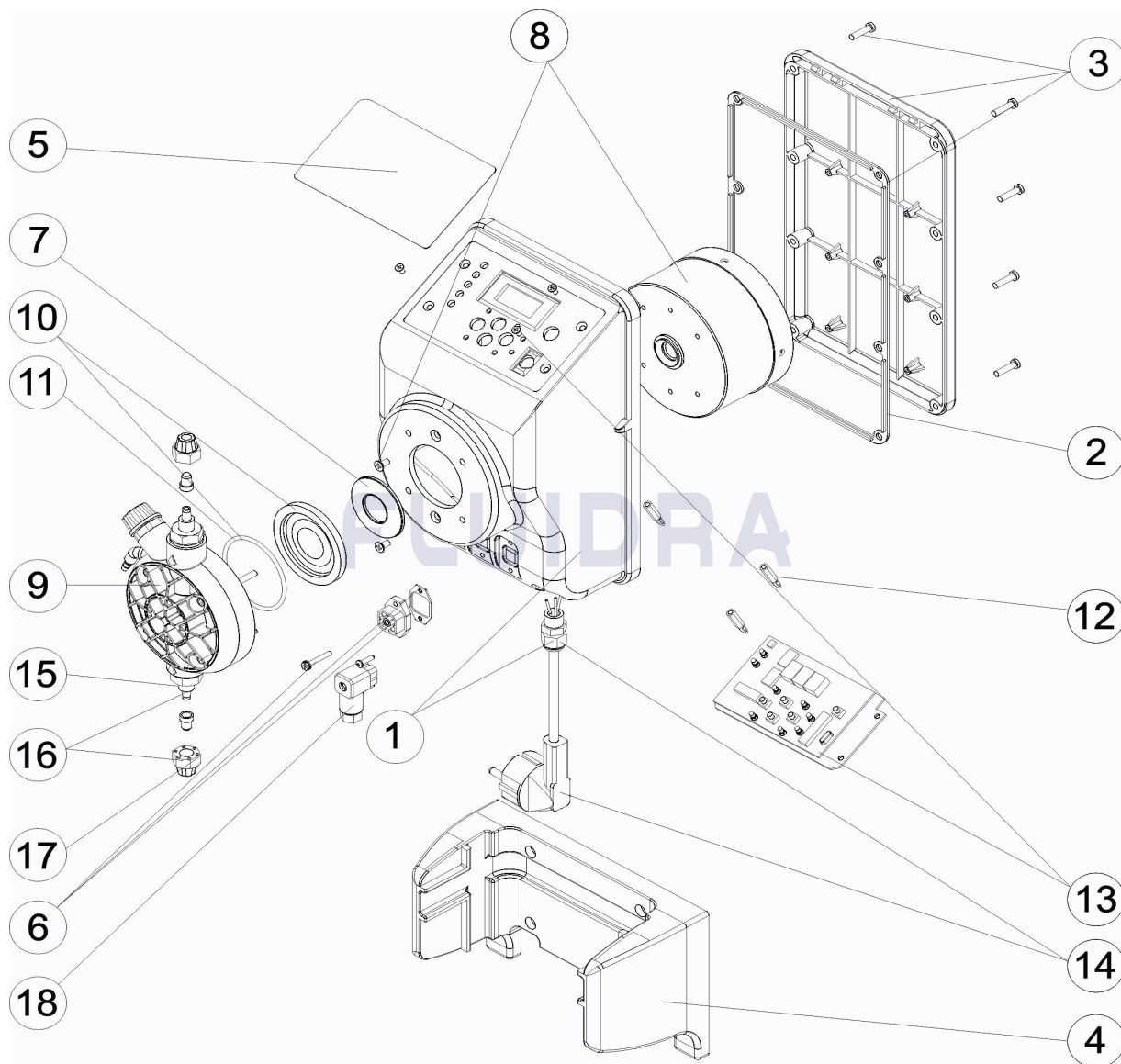
DESCRIPCION: BOMBA DOSIFICADORA EXACTUS MANUAL MICROPROCESADA

OBSERVACIONES

POS	CODIGO	OBSERVACIONES
7	* 4408031119	PARA: 32365, 32366
7	* 4408030531	PARA: 32367
7	* 4408031121	PARA: 32368
7	* 4408031122	PARA: 32369
8	* 4408031112	PARA: 32365
8	* 4408030118	PARA: 32366
8	* 4408031114	PARA: 32367
8	* 4408030517	PARA: 32368
8	* 4408031116	PARA: 32369
9	* 4408031205	PARA: 32365, 32366, 32367, 32368
9	* 4408030409	PARA: 32369
10	* 4408030119	PARA: 32365, 32366, 32367, 32368
10	* 4408030429	PARA: 32369
11	* 4408030111	PARA: 32365, 32366, 32367, 32368
11	* 4408030413	PARA: 32369

CODE 32365, 32366, 32367, 32368, 32369

DESCRIPTION: POMPE DOSEUSE EXACTUS MANUELLE À MICROPROCESSEUR



FRANCAIS

POS	CODE	DESCRIPTION	QUANTITE	POS	CODE	DESCRIPTION	QUANTITE
1	4408031101	BOITIER DE POMPE EXACTUS		9	* 4408031205	TETE COMPLET	
2	4408031102	JOINT BOITIER DE POMPE		9	* 4408030409	TETE COMPLET 20L. 5KG.	
3	4408031103	COUVERCLE POMPE		10	* 4408030119	MEMBRANE COMPLETE	
4	4408031104	SUPPORT DE POMPE		10	* 4408030429	MEMBRANE COMPLETE 20L 5KG	
5	4408031506	TABLEAU DE CONTROLE TACTILE RX/M		11	* 4408030111	JOINT TORIQUE TETE	
6	4408031217	CONNECTEUR		11	* 4408030413	JOINT TORIQUE TETE 20L 5KG	
7	* 4408031119	RONDELLE PISTON 2L 5KG - 2L 10KG - 5L		12	4408031204	DISTANCIATEUR PANEAU TACTILE	
7	* 4408030531	RONDELLE PISTON 5L 7KG		13	4408031701	CIRCUIT ELECTRONIQUE DLX-MA/M.	
7	* 4408031121	RONDELLE PISTON 10L 5KG		14	4408031221	CABLE ALIMENTATION	
7	* 4408031122	RONDELLE PISTON 20L 5KG		15	4408030115	CLAPET DUTRAL + SUPPORT	
8	* 4408031112	ELECTROAIMANT 2L 10KG		15	4408030116	CLAPET VITON + SUPPORT	
8	* 4408030118	ELECTROAIMANT COMPLETO 5L 7KG		15	4408030117	CLAPET SILICONA + SUPPORT	
8	* 4408031114	ELECTROAIMANT 5L 10KG		16	4408030112	CORPS RACCORD + CLAPET DUTRAL	

* VOIR FICHE D'OBSERVATIONS

CODE **32365, 32366, 32367, 32368, 32369**

DESCRIPTION: **POMPE DOSEUSE EXACTUS MANUELLE À MICROPROCESSEUR**

8	* 4408030517	ELECTROAIMANT 10L 5KG	16	4408030113	CORPS RACCORD + CLAPET VITON
8	* 4408031116	ELECTROAIMANT 25366	16	4408030114	CORPS RACCORD + CLAPET SILICONE
17	4408030126	ECROU DE TUBE D'ASPIRATION	18	4408031729	CONECTEUR DE NIVEAU

CODE **32365, 32366, 32367, 32368, 32369**

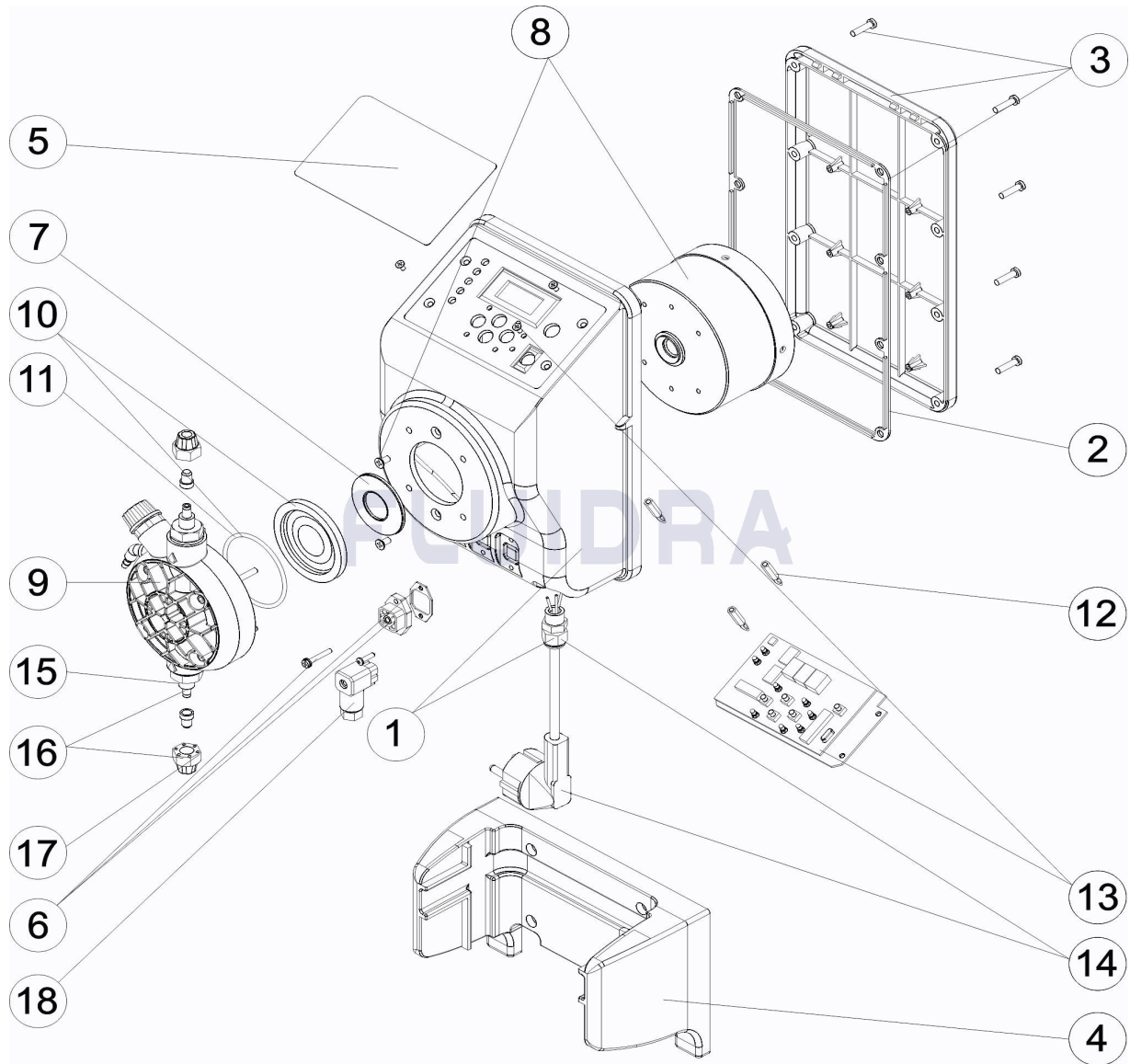
DESCRIPTION: **POMPE DOSEUSE EXACTUS MANUELLE À MICROPROCESSEUR**

OBSERVATIONS

POS	CODE	OBSERVATIONS
7	* 4408031119	POUR: 32365, 32366
7	* 4408030531	POUR: 32367
7	* 4408031121	POUR: 32368
7	* 4408031122	POUR: 32369
8	* 4408031112	POUR: 32365
8	* 4408030118	POUR: 32366
8	* 4408031114	POUR: 32367
8	* 4408030517	POUR: 32368
8	* 4408031116	POUR: 32369
9	* 4408031205	POUR: 32365, 32366, 32367, 32368
9	* 4408030409	POUR: 32369
10	* 4408030119	POUR: 32365, 32366, 32367, 32368
10	* 4408030429	POUR: 32369
11	* 4408030111	POUR: 32365, 32366, 32367, 32368
11	* 4408030413	POUR: 32369

CODE **32365, 32366, 32367, 32368, 32369**

DESCRIPTION: **EXACTUS MANUAL MICROPROCESSOR DOSING PUMP**



ENGLISH

POS	CODE	DESCRIPTION	QUANTITY	POS	CODE	DESCRIPTION	QUANTITY
1	4408031101	EXACTUS PUMP BOX		9	* 4408031205	COMPLETE HEAD ASSEMBLY	
2	4408031102	PUMP BOX SEAL		9	* 4408030409	COMPLETE HEAD ASSEMBLY 20L. 5KG.	
3	4408031103	PUMP REAR COVER		10	* 4408030119	DIAPHRAM COMPLETE	
4	4408031104	PUMP SUPPORT		10	* 4408030429	DIAPHRAM COMPLETE 20L 5KG	
5	4408031506	TOUCH SCREEN PANEL RX/M		11	* 4408030111	HEAD O RING	
6	4408031217	CONNECTOR		11	* 4408030413	HEAD O RING 20L 5KG	
7	* 4408031119	PISTON WASHER 2L 5KG - 2L 10KG - 5L 10l		12	4408031204	SUPPORT FOR ELECTRONIC CIRCUIT	
7	* 4408030531	PISTON WASHER 5L 7KG		13	4408031701	ELECTRONIC CIRCUIT DLX-MA/AD	
7	* 4408031121	PISTON WASHER 10L 5KG		14	4408031221	SUPPLY CABLE	
7	* 4408031122	PISTON WASHER 20L 5KG		15	4408030115	DUTRAL VALVE + SUPPORT	
8	* 4408031112	ELECTROMAGNET 2L 10KG		15	4408030116	VITON VALVE + SUPPORT	
8	* 4408030118	ELECTROMAGNET ASSEMBLY COMPLETE		15	4408030117	SILICON VALVE + SUPPORT	
8	* 4408031114	ELECTROMAGNET 5L 10KG		16	4408030112	HEAD CONNECTOR BODY + DUTRAL	

CODE **32365, 32366, 32367, 32368, 32369**

DESCRIPTION: **EXACTUS MANUAL MICROPROCESSOR DOSING PUMP**

8	* 4408030517	ELECTROMAGNET 10L 5KG	16	4408030113	HEAD CONNECTOR BODY + VITON
8	* 4408031116	ELECTROMAGNET 25366	16	4408030114	HEAD CONNECTOR BODY + SILICON
17	4408030126	SUCTION TUBE NUT	18	4408031729	FEMALE CONNECTOR BCN

CODE **32365, 32366, 32367, 32368, 32369**

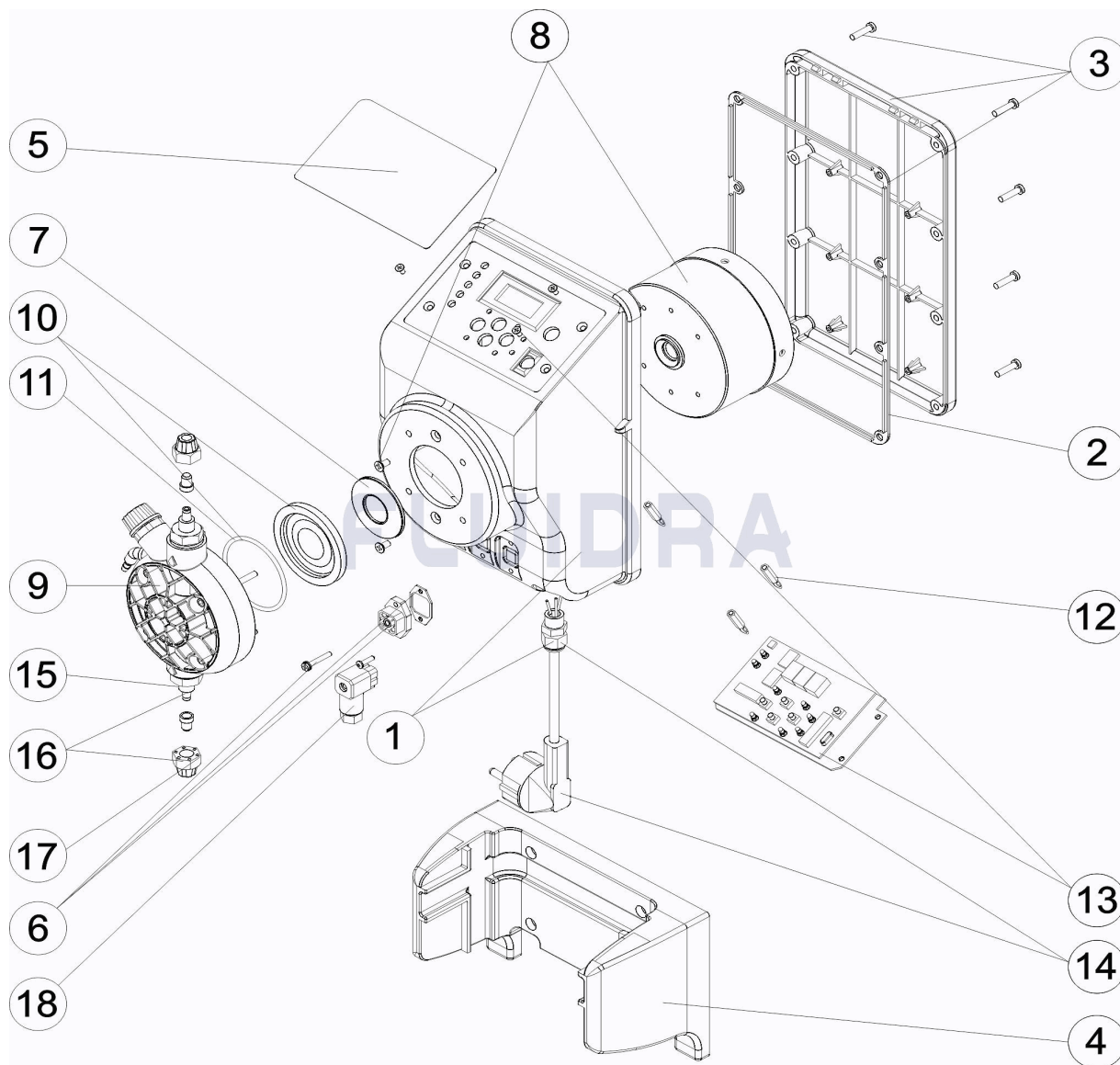
DESCRIPTION: **EXACTUS MANUAL MICROPROCESSOR DOSING PUMP**

OBSERVATIONS

POS	CODE	OBSERVATIONS
7	* 4408031119	FOR: 32365, 32366
7	* 4408030531	FOR: 32367
7	* 4408031121	FOR: 32368
7	* 4408031122	FOR: 32369
8	* 4408031112	FOR: 32365
8	* 4408030118	FOR: 32366
8	* 4408031114	FOR: 32367
8	* 4408030517	FOR: 32368
8	* 4408031116	FOR: 32369
9	* 4408031205	FOR: 32365, 32366, 32367, 32368
9	* 4408030409	FOR: 32369
10	* 4408030119	FOR: 32365, 32366, 32367, 32368
10	* 4408030429	FOR: 32369
11	* 4408030111	FOR: 32365, 32366, 32367, 32368
11	* 4408030413	FOR: 32369

CODICE 32365, 32366, 32367, 32368, 32369

DESCRIZIONE: POMPA DOSIFICATRICE EXACTUS MANUALE MICROPROCESSATA



ITALIANO

POS	CODICE	DESCRIZIONE	QUANTITA'	POS	CODICE	DESCRIZIONE	QUANTITA'
1	4408031101	CASSA POMPA EXACTUS		9	* 4408031205	TESTA COMPLETA	
2	4408031102	GUARNIZIONE CASSA POMPA		9	* 4408030409	TESTA COMPLETA 20L. 5KG.	
3	4408031103	COPRIVENTOLA POMPA		10	* 4408030119	MEMBRANA COMPLETA	
4	4408031104	SUPPORTO POMPA		10	* 4408030429	MEMBRANA COMPLETA 20L 5KG	
5	4408031506	PANNELLO DIGITALE RX/M		11	* 4408030111	O-RING PER TESTA	
6	4408031217	CONNETTORE		11	* 4408030413	O-RING TESTA 20L 5KG	
7	* 4408031119	RONDELLA PISTONE 2L 5KG - 2L 10KG - 5L		12	4408031204	DISTANCIANTE PANNELLO COMANDI 17 M/M	
7	* 4408030531	RONDELLA PISTONE 5L 7KG		13	4408031701	CIRCUITO ELETTRONICO DLX-MA/AD.	
7	* 4408031121	RONDELLA PISTONE 10L 5KG		14	4408031221	CAVO DI ALIMENTAZIONE	
7	* 4408031122	RONDELLA PISTONE 20L 5KG		15	4408030115	VALVOLA DUTRAL + SUPPORTO	
8	* 4408031112	ELETTROCALAMITA 2L 10KG		15	4408030116	VALVOLA + SUPPORTO	
8	* 4408030118	ELETTROCALAMITA COMPLETA 5L 7KG		15	4408030117	VALVOLA SILICONE + SUPPORTO	
8	* 4408031114	ELETTROCALAMITA 5L 10KG		16	4408030112	CORPO RACCORDO + VALVOLA IN DUTRAL	

CODICE **32365, 32366, 32367, 32368, 32369**

DESCRIZIONE: **POMPA DOSIFICATRICE EXACTUS MANUALE MICROPROCESSATA**

8	* 4408030517	ELETTROCALAMITA 10L 5KG	16	4408030113	CORPO RACCORDO + VALVOLA IN VITON
8	* 4408031116	ELETTROCALAMITA 25366	16	4408030114	CORPO RACCORDO + VALVOLA IN SILICON
17	4408030126	GHIERA FISSAGGIO TUBO	18	4408031729	CONNETTORE DI LIVELLO

CODICE 32365, 32366, 32367, 32368, 32369

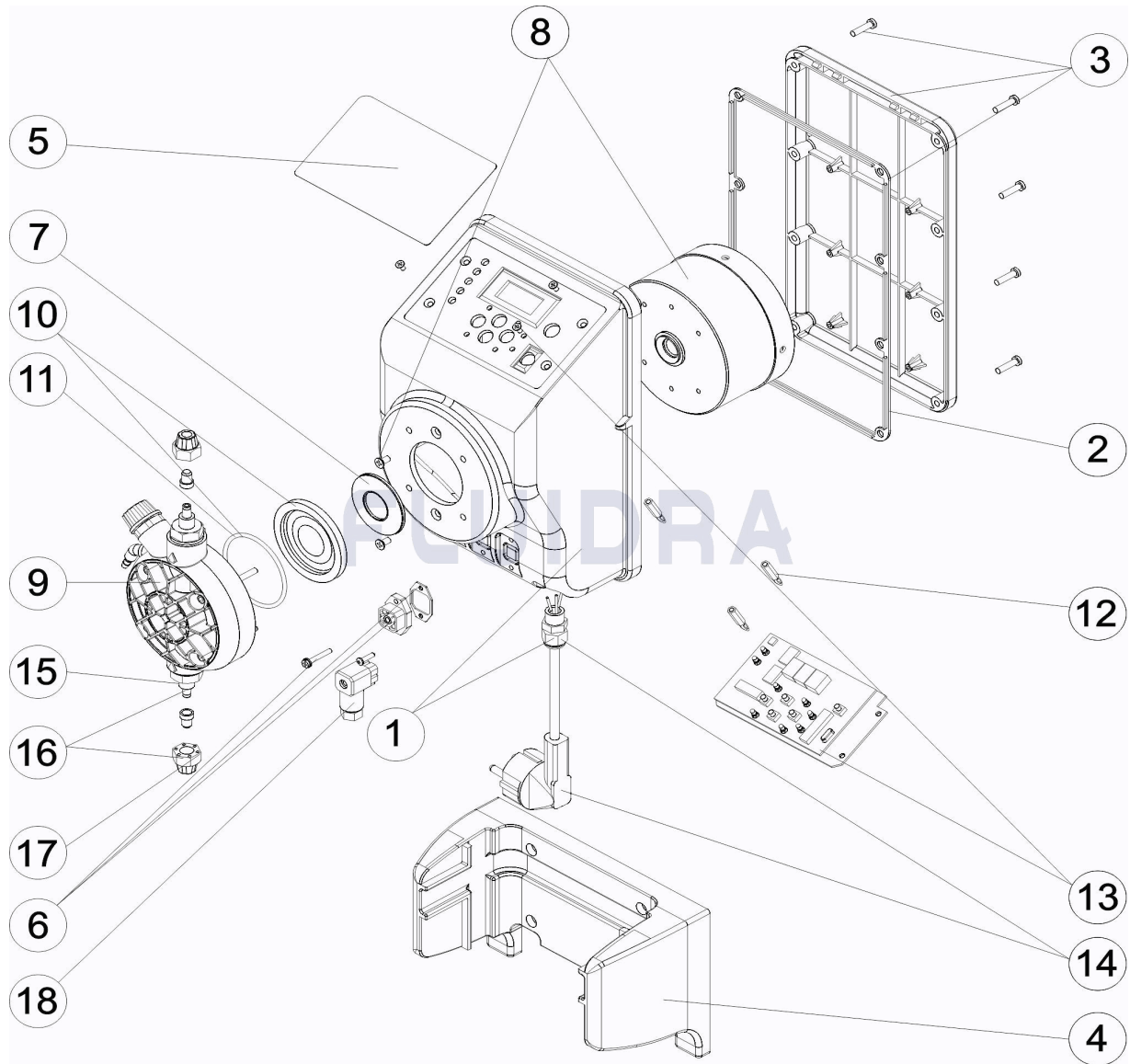
DESCRIZIONE: POMPA DOSIFICATRICE EXACTUS MANUALE MICROPROCESSATA

OSSERVAZIONI

POS	CODICE	OSSERVAZIONI
7	* 4408031119	PER: 32365, 32366
7	* 4408030531	PER: 32367
7	* 4408031121	PER: 32368
7	* 4408031122	PER: 32369
8	* 4408031112	PER: 32365
8	* 4408030118	PER: 32366
8	* 4408031114	PER: 32367
8	* 4408030517	PER: 32368
8	* 4408031116	PER: 32369
9	* 4408031205	PER: 32365, 32366, 32367, 32368
9	* 4408030409	PER: 32369
10	* 4408030119	PER: 32365, 32366, 32367, 32368
10	* 4408030429	PER: 32369
11	* 4408030111	PER: 32365, 32366, 32367, 32368
11	* 4408030413	PER: 32369

CODE 32365, 32366, 32367, 32368, 32369

BESCHREIBUNG: DOSIERPUMPE EXACTUS MANUELL MICROPROZESSOR



DEUTSCH

POS	CODE	BESCHREIBUNG	MENGE	POS	CODE	BESCHREIBUNG	MENGE
1	4408031101	PUMPENGEHÄUSE EXACTUS		9	* 4408031205	KOPFSTÜCK KOMPLETT	
2	4408031102	DICHTUNG PUMPENGEHÄUSE		9	* 4408030409	KOPFSTÜCK KOMPLETT 20 L 5 KG	
3	4408031103	ABDECKUNG HINTEN PUMPE		10	* 4408030119	KOMPLETTMEMBERAN	
4	4408031104	HALTERUNG PUMPE		10	* 4408030429	KOMPLETTMEMBERAN 20 L 5 KG	
5	4408031506	TOUCHSCREEN RX/M		11	* 4408030111	O-RING KOPFSTÜCK	
6	4408031217	STECKKUPPLUNG		11	* 4408030413	O-RING KOPFSTÜCK 20 L 5 KG	
7	* 4408031119	KOLBENSCHLEIBE 2 L 5 KG - 2 L 10 KG - 5 L		12	4408031204	DISTANZSTÜCK TOUCHSCREEN 17 MM	
7	* 4408030531	KOLBENSCHLEIBE 5 L 7 KG		13	4408031701	PLATINE SCHALTREIS DLX - M/AMB	
7	* 4408031121	KOLBENSCHLEIBE 10 L 5 KG		14	4408031221	VERSORUNGSKABEL	
7	* 4408031122	KOLBENSCHLEIBE 20 L 5 KG		15	4408030115	VENTIL DUTRAL MIT HALTERUNG	
8	* 4408031112	ELEKTROMAGNET 2 L 10 KG		15	4408030116	VENTIL VITON MIT HALTERUNG	
8	* 4408030118	ELEKTROMAGNET KOMPLETT 5 L 7 KG		15	4408030117	VENTIL SILIKON MIT HALTERUNG	
8	* 4408031114	ELEKTROMAGNET 5 L 10 KG		16	4408030112	VENTILSATZ MIT DUTRAL	

* SIEHE ANMERKUNGSBLATT

CODE **32365, 32366, 32367, 32368, 32369**

BESCHREIBUNG: **DOSIERPUMPE EXACTUS MANUELL MICROPROZESSOR**

8	* 4408030517	ELEKTROMAGNET 10 L 5 KG	16	4408030113	VENTILSATZ MIT VITON
8	* 4408031116	ELEKTROMAGNET 25366	16	4408030114	VENTILSATZ MIT SILIKON
17	4408030126	MUTTER BEFESTIGUNG ROHR	18	4408031729	VERBINDUNGSTÜCK FÜLLSTAND

CODE **32365, 32366, 32367, 32368, 32369**

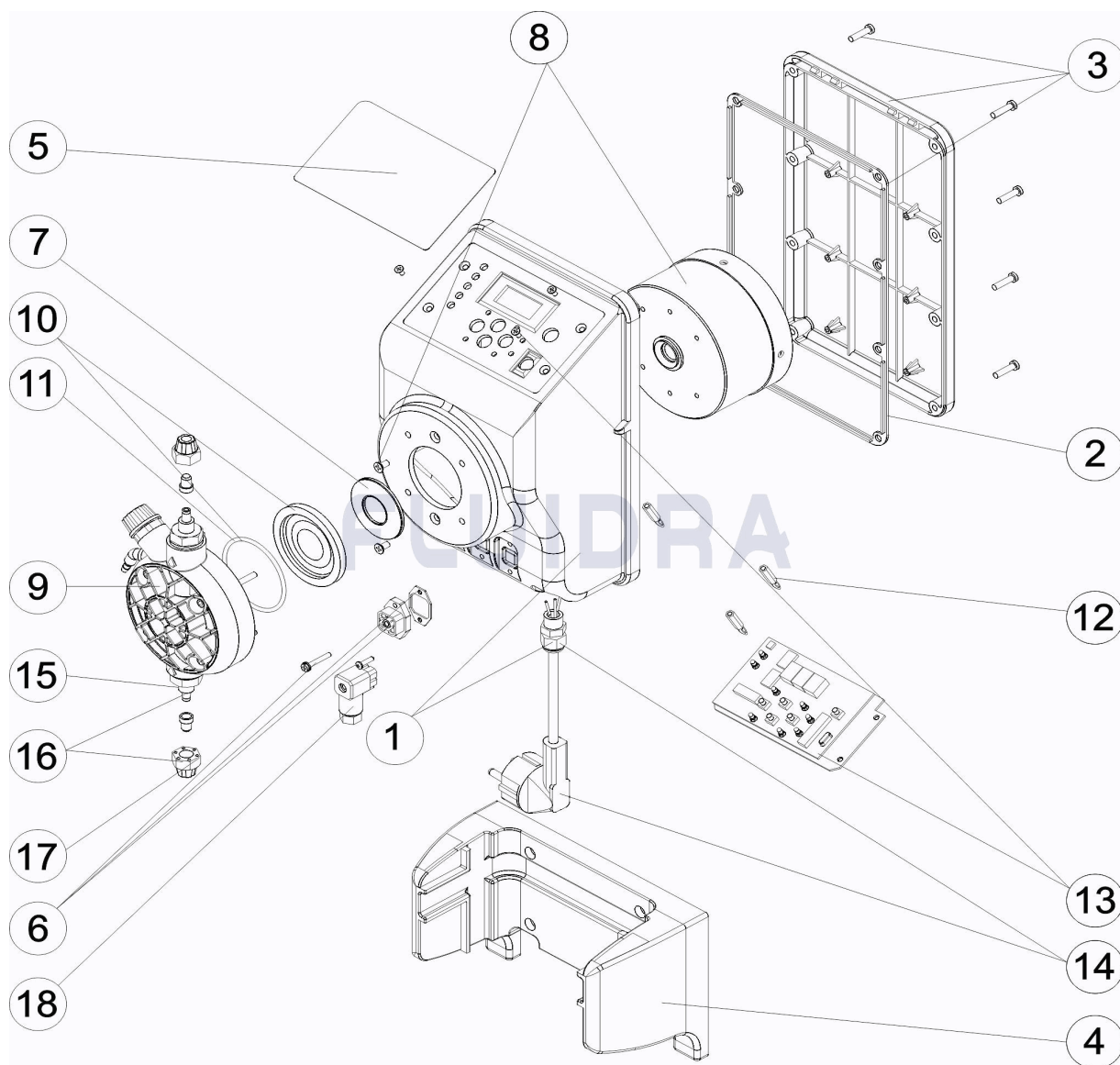
BESCHREIBUNG: **DOSIERPUMPE EXACTUS MANUELL MICROPROZESSOR**

HINWEISE

POS	CODE	HINWEISE
7	* 4408031119	FÜR: 32365, 32366
7	* 4408030531	FÜR: 32367
7	* 4408031121	FÜR: 32368
7	* 4408031122	FÜR: 32369
8	* 4408031112	FÜR: 32365
8	* 4408030118	FÜR: 32366
8	* 4408031114	FÜR: 32367
8	* 4408030517	FÜR: 32368
8	* 4408031116	FÜR: 32369
9	* 4408031205	FÜR: 32365, 32366, 32367, 32368
9	* 4408030409	FÜR: 32369
10	* 4408030119	FÜR: 32365, 32366, 32367, 32368
10	* 4408030429	FÜR: 32369
11	* 4408030111	FÜR: 32365, 32366, 32367, 32368
11	* 4408030413	FÜR: 32369

CODIGO 32365, 32366, 32367, 32368, 32369

DESCRICAÇÃO: BOMBA DOSEADORA EXACTUS MANUAL MICROPROCESSADA



PORTUGUES

POS	CODIGO	DESCRICAÇÃO	JANTIDADE	POS	CODIGO	DESCRICAÇÃO	JANTIDADE
1	4408031101	CAIXA BOMBA EXACTUS		9	* 4408031205	CABEÇAL COMPLETO	
2	4408031102	JUNTA CAIXA BOMBA		9	* 4408030409	CABEÇAL COMPLETO 20L. 5KG.	
3	4408031103	TAMPA TRASEIRA BOMBA		10	* 4408030119	MEMBRANA COMPLETA	
4	4408031104	SUPORTE BOMBA		10	* 4408030429	MEMBRANA COMPLETA 20L 5KG	
5	4408031506	PAINEL DIGITAL TÁCTIL RX/M		11	* 4408030111	JUNTA TORICA CABEÇAL	
6	4408031217	LIGAÇÃO		11	* 4408030413	JUNTA TORICA CABEÇAL 20L 5KG	
7	* 4408031119	ANILHA PISTON 2L 5KG - 2L 10KG - 5L 10K		12	4408031204	DISTANCIADOR DE PAINEL TACTIL 17 M/M.	
7	* 4408030531	ANILHA PISTON 5L 7KG		13	4408031701	CIRCUITO ELECTRONICO DLX-MA/AD.	
7	* 4408031121	ANILHA PISTON 10L 5KG		14	4408031221	CABO ALIMENTAÇÃO	
7	* 4408031122	ANILHA PISTON 20L 5KG		15	4408030115	VÁLVULA DUTRAL + SUPORTE	
8	* 4408031112	ELECTROIMAN 2L 10KG		15	4408030116	VÁLVULA VITON + SUPORTE	
8	* 4408030118	ELECTROIMAN COMPLETO 5L 7KG		15	4408030117	VÁLVULA SILICONE + SUPORTE	
8	* 4408031114	ELECTROIMAN 5L 10KG		16	4408030112	CORPO RACORD + DUTRAL	

*** VEJA A FICHA DE OBSERVAÇÕES**

CODIGO 32365, 32366, 32367, 32368, 32369

DESCRIÇÃO: BOMBA DOSEADORA EXACTUS MANUAL MICROPROCESSADA

8	* 4408030517	ELECTROIMAN 10L 5KG	16	4408030113	CORPO RACORD + VITON
8	* 4408031116	ELECTROIMAN 25366	16	4408030114	CORPO RACORD + SILICONE
17	4408030126	PORCA SUJEIÇÃO TUBO	18	4408031729	LIGAÇÃO NIVEL

CODIGO 32365, 32366, 32367, 32368, 32369

DESCRIÇÃO: BOMBA DOSEADORA EXACTUS MANUAL MICROPROCESSADA

OBSERVAÇÕES

POS	CODIGO	OBSERVAÇÕES
7	* 4408031119	PARA: 32365, 32366
7	* 4408030531	PARA: 32367
7	* 4408031121	PARA: 32368
7	* 4408031122	PARA: 32369
8	* 4408031112	PARA: 32365
8	* 4408030118	PARA: 32366
8	* 4408031114	PARA: 32367
8	* 4408030517	PARA: 32368
8	* 4408031116	PARA: 32369
9	* 4408031205	PARA: 32365, 32366, 32367, 32368
9	* 4408030409	PARA: 32369
10	* 4408030119	PARA: 32365, 32366, 32367, 32368
10	* 4408030429	PARA: 32369
11	* 4408030111	PARA: 32365, 32366, 32367, 32368
11	* 4408030413	PARA: 32369