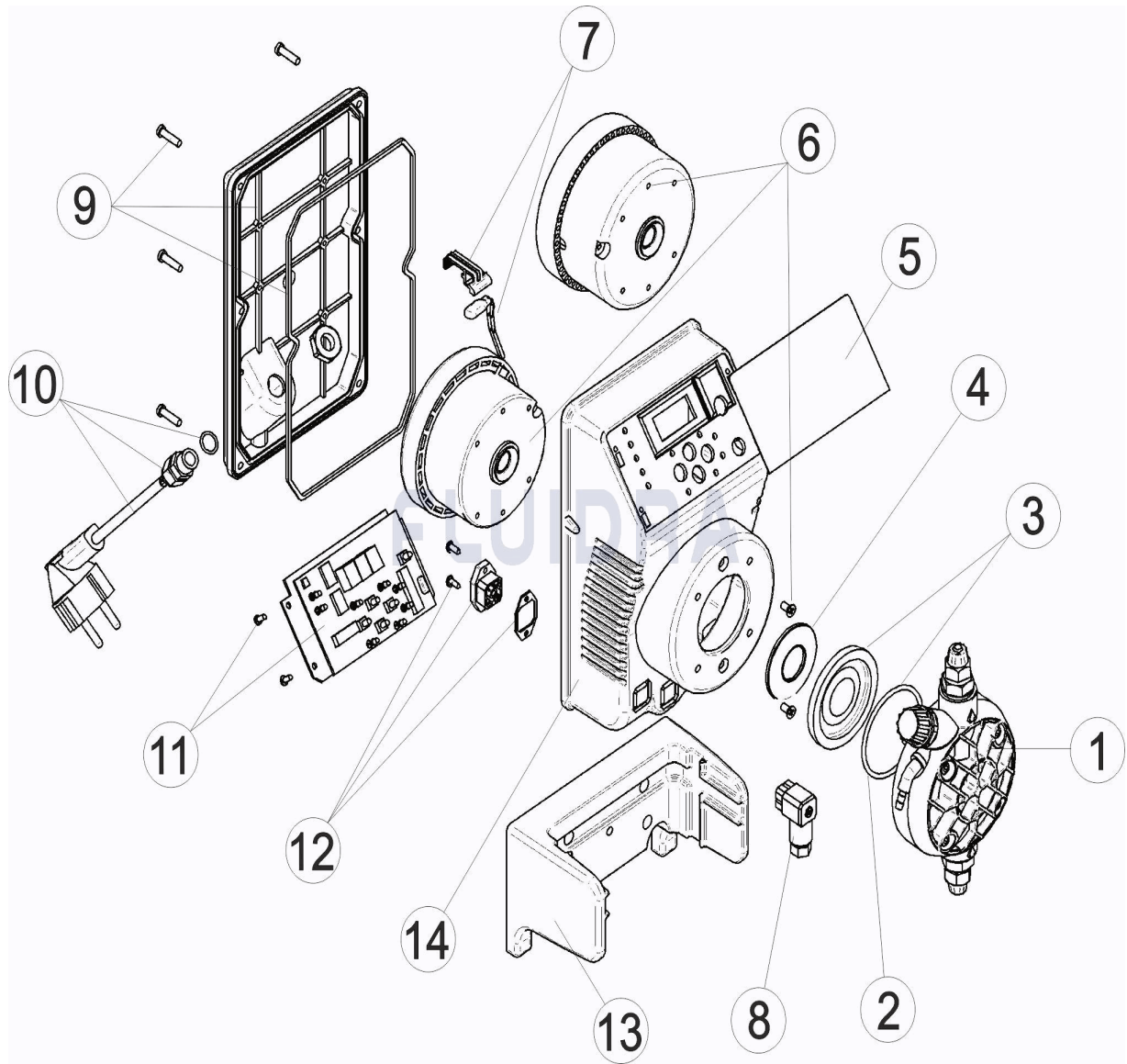


CODIGO 57164, 57165, 57166, 57167

DESCRIPCION: BOMBA EXACTUS CC/M



**ESPAÑOL**

POS	CODIGO	DESCRIPCION	CANTIDAD	POS	CODIGO	DESCRIPCION	CANTIDAD
1	* 4408031205	CABEZAL COMPLETO		6	* 4408031114	ELECTROIMAN 5L 10KG	
1	* 4408030409	CABEZAL COMPLETO 20L. 5KG.		6	* 4408030517	ELECTROIMAN 10L 5KG	
2	* 4408030111	JUNTA TORICA CABEZAL		6	* 4408032309	ELECTROIMAN 20L.-5KG.	
2	* 4408030413	JUNTA TORICA CABEZAL 20L 5KG		7	4408032305	SOPORTE MAS TERMOSTADO 110°	
3	* 4408030119	MEMBRANA COMPLETA		8	4408031729	CONECTOR DE NIVEL	
3	* 4408030429	MEMBRANA COMPLETA 20L 5KG		9	4408030025	TAPA POSTERIOR EXACTUS CON JUNTA	
4	* 4408030531	ARANDELA PISTON 5L 7KG		10	4408031221	CABLE ALIMENTACION	
4	* 4408031119	ARANDELA PISTON 2L 5KG - 2L 10KG - 5L 1		11	4408031308	CIRCUITO ELECTRONICO CC/M 230V.	
4	* 4408031121	ARANDELA PISTON 10L 5KG		12	4408031217	CONECTOR	
4	* 4408031122	ARANDELA PISTON 20L 5KG		13	4408032303	SOPORTE EXACTUS 2009	
5	4408032501	PANEL TACTIL CC/M EXACTUS 2009		14	57174R0001	CAJA EXACTUS	
6	* 4408030118	ELECTROIMAN COMPLETO 5L 7KG					

**CODIGO 57164, 57165, 57166, 57167**

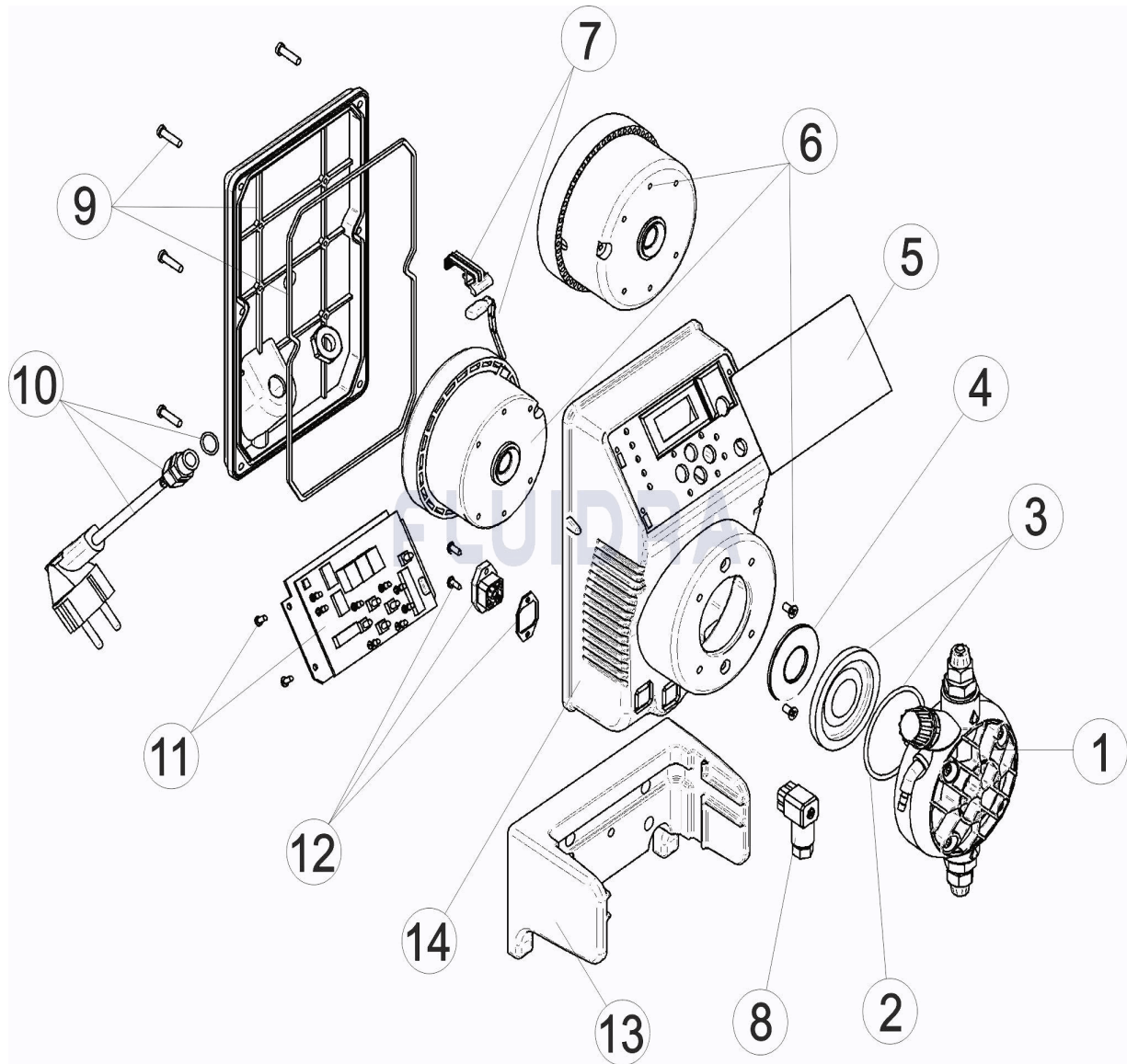
**DESCRIPCION: BOMBA EXACTUS CC/M**

## OBSERVACIONES

POS	CODIGO	OBSERVACIONES
1	* 4408031205	PARA: 57164, 57165, 57166
1	* 4408030409	PARA: 57167
2	* 4408030111	PARA: 57164, 57165, 57166
2	* 4408030413	PARA: 57167
3	* 4408030119	PARA: 57164, 57165, 57166
3	* 4408030429	PARA: 57167
4	* 4408030531	PARA: 57164
4	* 4408031119	PARA: 57165
4	* 4408031121	PARA: 57166
4	* 4408031122	PARA: 57167
6	* 4408030118	PARA: 57164
6	* 4408031114	PARA: 57165
6	* 4408030517	PARA: 57166
6	* 4408032309	PARA: 57167

CODE 57164, 57165, 57166, 57167

DESCRIPTION: POMPE EXACTUS CC/M



FRANCAIS

POS	CODE	DESCRIPTION	QUANTITE	POS	CODE	DESCRIPTION	QUANTITE
1	* 4408031205	TETE COMPLET		6	* 4408031114	ELECTROAIMANT 5L 10KG	
1	* 4408030409	TETE COMPLET 20L. 5KG.		6	* 4408030517	ELECTROAIMANT 10L 5KG	
2	* 4408030111	JOINT TORIQUE TETE		6	* 4408032309	ELECTROAIMANT 20L. 5KG	
2	* 4408030413	JOINT TORIQUE TETE 20L 5KG		7	4408032305	SUPPORT + THERMOSTAT DE 110 °	
3	* 4408030119	MEMBRANE COMPLETE		8	4408031729	CONECTEUR DE NIVEAU	
3	* 4408030429	MEMBRANE COMPLETE 20L 5KG		9	4408030025	COUVERCLE POMPE EXACTUS	
4	* 4408030531	RONDELLE PISTON 5L 7KG		10	4408031221	CABLE ALIMENTATION	
4	* 4408031119	RONDELLE PISTON 2L 5KG - 2L 10KG - 5L		11	4408031308	CIRCUIT ELECTRONIQUE CC/M. 230V.	
4	* 4408031121	RONDELLE PISTON 10L 5KG		12	4408031217	CONNECTEUR	
4	* 4408031122	RONDELLE PISTON 20L 5KG		13	4408032303	SUPPORT DE POMPE EXACTUS 2009	
5	4408032501	TABEUAU DE CONTROLE TACTILE CC/M E'		14	57174R0001	BOITIER DE POMPE EXACTUS	
6	* 4408030118	ELECTROAIMANT COMPLETO 5L 7KG					

CODE **57164, 57165, 57166, 57167**

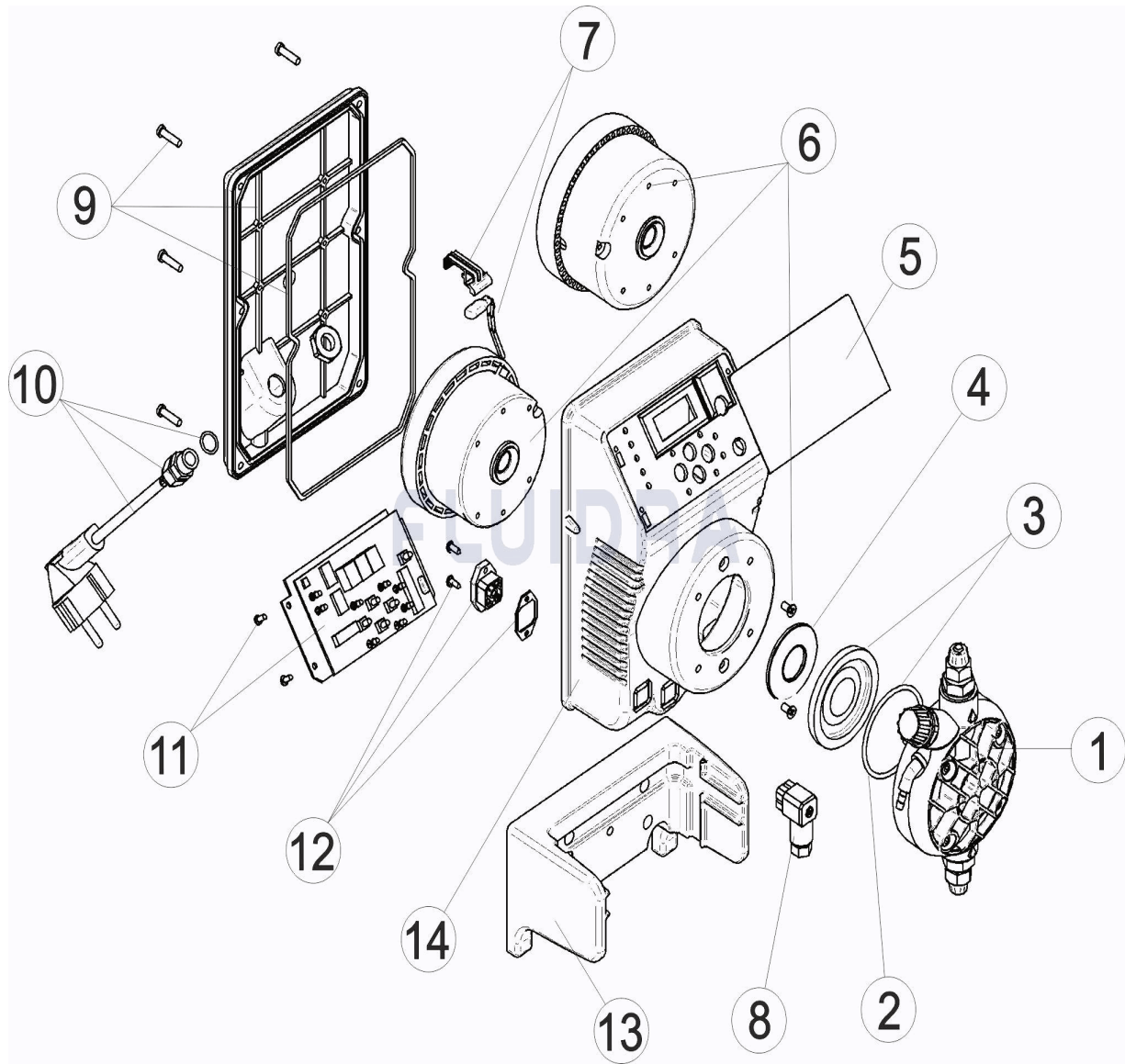
DESCRIPTION: **POMPE EXACTUS CC/M**

## OBSERVATIONS

POS	CODE	OBSERVATIONS
1	* 4408031205	POUR: 57164, 57165, 57166
1	* 4408030409	POUR: 57167
2	* 4408030111	POUR: 57164, 57165, 57166
2	* 4408030413	POUR: 57167
3	* 4408030119	POUR: 57164, 57165, 57166
3	* 4408030429	POUR: 57167
4	* 4408030531	POUR: 57164
4	* 4408031119	POUR: 57165
4	* 4408031121	POUR: 57166
4	* 4408031122	POUR: 57167
6	* 4408030118	POUR: 57164
6	* 4408031114	POUR: 57165
6	* 4408030517	POUR: 57166
6	* 4408032309	POUR: 57167

CODE 57164, 57165, 57166, 57167

DESCRIPTION: EXACTUS PUMP CC/M



**ENGLISH**

POS	CODE	DESCRIPTION	QUANTITY	POS	CODE	DESCRIPTION	QUANTITY
1	* 4408031205	COMPLETE HEAD ASSEMBLY		6	* 4408031114	ELECTROMAGNET 5L 10KG	
1	* 4408030409	COMPLETE HEAD ASSEMBLY 20L. 5KG.		6	* 4408030517	ELECTROMAGNET 10L 5KG	
2	* 4408030111	HEAD O RING		6	* 4408032309	ELECTROMAGNET 20L. - 5KG	
2	* 4408030413	HEAD O RING 20L 5KG		7	4408032305	SUPPORT AND THERMOSTAT 110°	
3	* 4408030119	DIAPHRAM COMPLETE		8	4408031729	FEMALE CONNECTOR BCN	
3	* 4408030429	DIAPHRAM COMPLETE 20L 5KG		9	4408030025	PUMP REAR COVER	
4	* 4408030531	PISTON WASHER 5L 7KG		10	4408031221	SUPPLY CABLE	
4	* 4408031119	PISTON WASHER 2L 5KG - 2L 10KG - 5L 10l		11	4408031308	ELECTRONIC CIRCUIT CC/M. 230V.	
4	* 4408031121	PISTON WASHER 10L 5KG		12	4408031217	CONNECTOR	
4	* 4408031122	PISTON WASHER 20L 5KG		13	4408032303	PUMP SUPPORT 2009	
5	4408032501	TOUCH SCREEN PANEL CC/M 2009		14	57174R0001	EXACTUS PUMP BOX	
6	* 4408030118	ELECTROMAGNET ASSEMBLY COMPLETE					

CODE **57164, 57165, 57166, 57167**

DESCRIPTION: **EXACTUS PUMP CC/M**

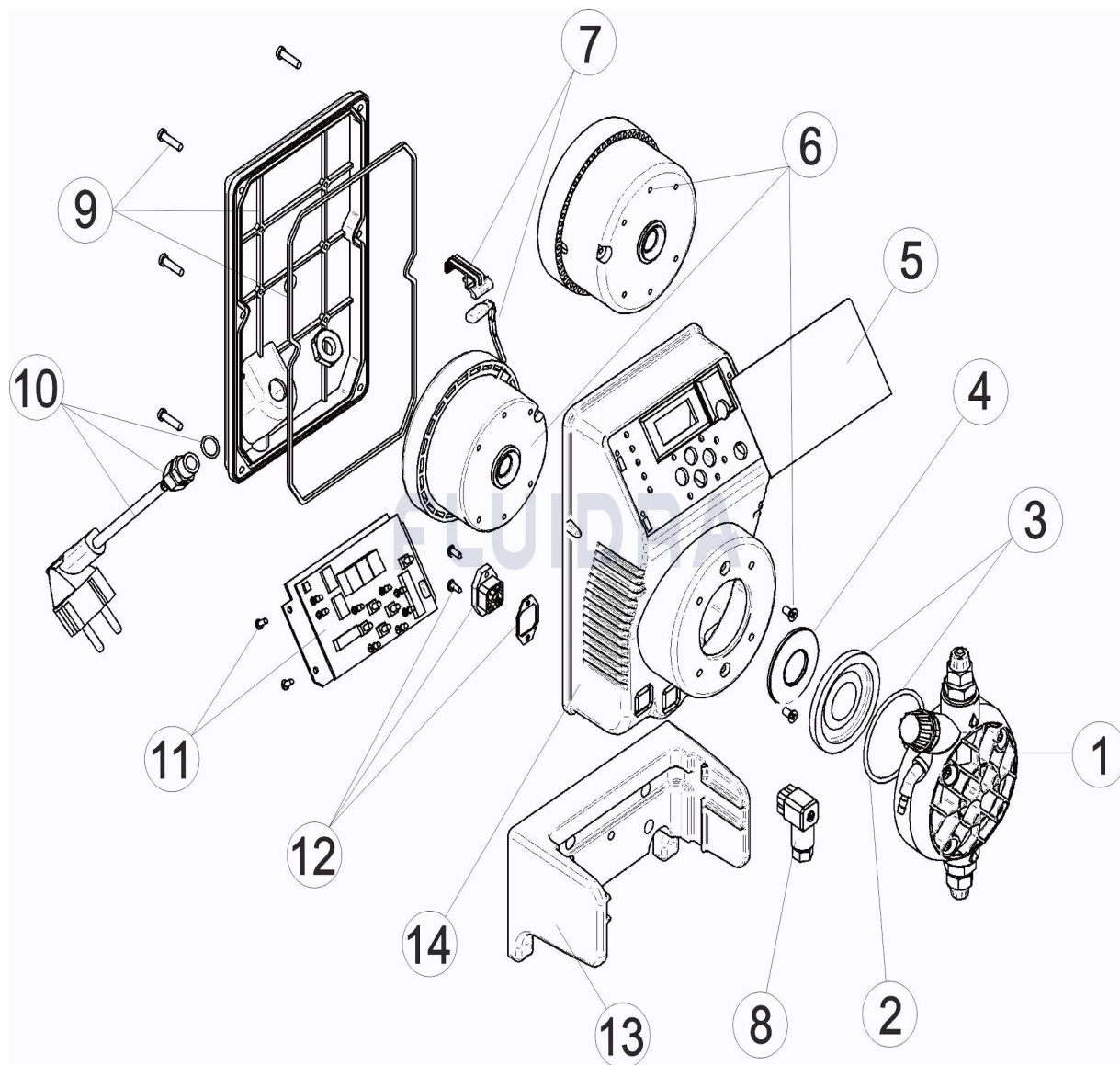
## OBSERVATIONS

POS	CODE	OBSERVATIONS
1	* 4408031205	FOR: 57164, 57165, 57166
1	* 4408030409	FOR: 57167
2	* 4408030111	FOR: 57164, 57165, 57166
2	* 4408030413	FOR: 57167
3	* 4408030119	FOR: 57164, 57165, 57166
3	* 4408030429	FOR: 57167
4	* 4408030531	FOR: 57164
4	* 4408031119	FOR: 57165
4	* 4408031121	FOR: 57166
4	* 4408031122	FOR: 57167
6	* 4408030118	FOR: 57164
6	* 4408031114	FOR: 57165
6	* 4408030517	FOR: 57166
6	* 4408032309	FOR: 57167



CODICE 57164, 57165, 57166, 57167

DESCRIZIONE: POMPA EXACTUS CC/M



ITALIANO

POS	CODICE	DESCRIZIONE	QUANTITA'	POS	CODICE	DESCRIZIONE	QUANTITA'
1	* 4408031205	TESTA COMPLETA		6	* 4408031114	ELETTROCALAMITA 5L 10KG	
1	* 4408030409	TESTA COMPLETA 20L 5KG.		6	* 4408030517	ELETTROCALAMITA 10L 5KG	
2	* 4408030111	O-RING PER TESTA		6	* 4408032309	ELETTROCALAMITA 20L 5KG.	
2	* 4408030413	O-RING TESTA 20L 5KG		7	4408032305	SUPPORTO + TERMOSTATO 110°	
3	* 4408030119	MEMBRANA COMPLETA		8	4408031729	CONNETTORE DI LIVELLO	
3	* 4408030429	MEMBRANA COMPLETA 20L 5KG		9	4408030025	COPRIVENTOLA POMPA EXACTUS	
4	* 4408030531	RONDELLA PISTONE 5L 7KG		10	4408031221	CAVO DI ALIMENTAZIONE	
4	* 4408031119	RONDELLA PISTONE 2L 5KG - 2L 10KG - 5L		11	4408031308	CIRCUITO ELETTRONICO CC/M. 230V	
4	* 4408031121	RONDELLA PISTONE 10L 5KG		12	4408031217	CONNETTORE	
4	* 4408031122	RONDELLA PISTONE 20L 5KG		13	4408032303	SUPPORTO POMPA EXACTUS 2009	
5	4408032501	PANNELLO DIGITALE CC/M EXACTUS 2009		14	57174R0001	CASSA POMPA EXACTUS	
6	* 4408030118	ELETTROCALAMITA COMPLETA 5L 7KG					

CODICE **57164, 57165, 57166, 57167**

DESCRIZIONE: **POMPA EXACTUS CC/M**

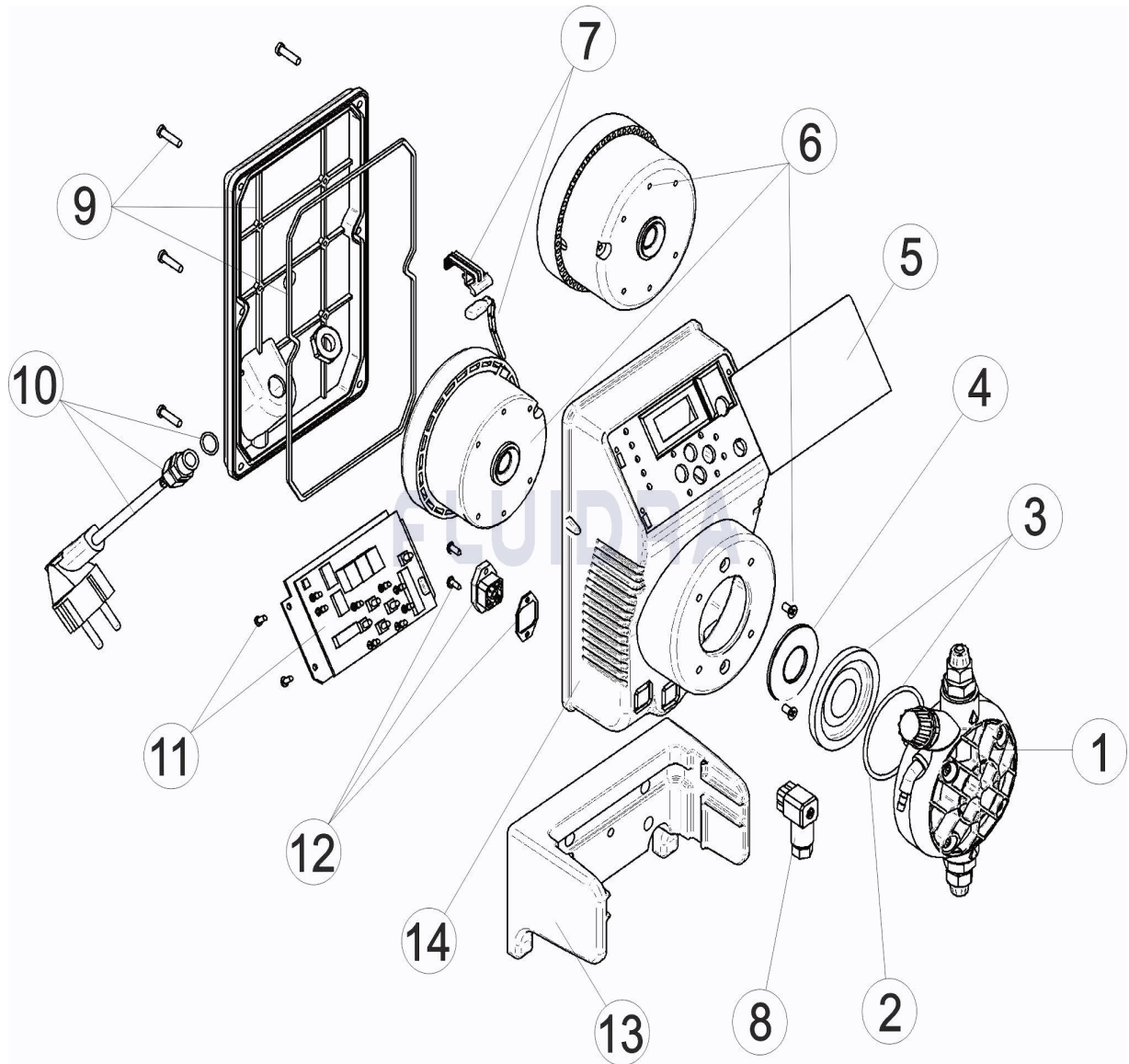
## OSSERVAZIONI

POS	CODICE	OSSERVAZIONI
1	* 4408031205	PER: 57164, 57165, 57166
1	* 4408030409	PER: 57167
2	* 4408030111	PER: 57164, 57165, 57166
2	* 4408030413	PER: 57167
3	* 4408030119	PER: 57164, 57165, 57166
3	* 4408030429	PER: 57167
4	* 4408030531	PER: 57164
4	* 4408031119	PER: 57165
4	* 4408031121	PER: 57166
4	* 4408031122	PER: 57167
6	* 4408030118	PER: 57164
6	* 4408031114	PER: 57165
6	* 4408030517	PER: 57166
6	* 4408032309	PER: 57167



CODE 57164, 57165, 57166, 57167

BESCHREIBUNG: PUMPE EXACTUS CC/M



DEUTSCH

POS	CODE	BESCHREIBUNG	MENGE	POS	CODE	BESCHREIBUNG	MENGE
1	* 4408031205	KOPFSTÜCK KOMPLETT		6	* 4408031114	ELEKTROMAGNET 5 L 10 KG	
1	* 4408030409	KOPFSTÜCK KOMPLETT 20 L 5 KG		6	* 4408030517	ELEKTROMAGNET 10 L 5 KG	
2	* 4408030111	O-RING KOPFSTÜCK		6	* 4408032309	ELEKTROMAGNET 20 L - 5 KG	
2	* 4408030413	O-RING KOPFSTÜCK 20 L 5 KG		7	4408032305	HALTERUNG UND THERMOSTAT 110°	
3	* 4408030119	KOMPLETTMEMBERAN		8	4408031729	VERBINDUNGSTÜCK FÜLLSTAND	
3	* 4408030429	KOMPLETTMEMBERAN 20 L 5 KG		9	4408030025	ABDECKUNG HINTEN EXACTUS UND DICH	
4	* 4408030531	KOLBENSCHLEIBE 5 L 7 KG		10	4408031221	VERSORUNGSKABEL	
4	* 4408031119	KOLBENSCHLEIBE 2 L 5 KG - 2 L 10 KG - 5 L		11	4408031308	PLATINE SCHALTSTREIFEN CC/M 230 V	
4	* 4408031121	KOLBENSCHLEIBE 10 L 5 KG		12	4408031217	STECKKUPPLUNG	
4	* 4408031122	KOLBENSCHLEIBE 20 L 5 KG		13	4408032303	HALTERUNG EXACTUS 2009	
5	4408032501	TOUCHSCREEN CC/M EXACTUS 2009		14	57174R0001	GEHÄUSE EXACTUS	
6	* 4408030118	ELEKTROMAGNET KOMPLETT 5 L 7 KG					

CODE **57164, 57165, 57166, 57167**

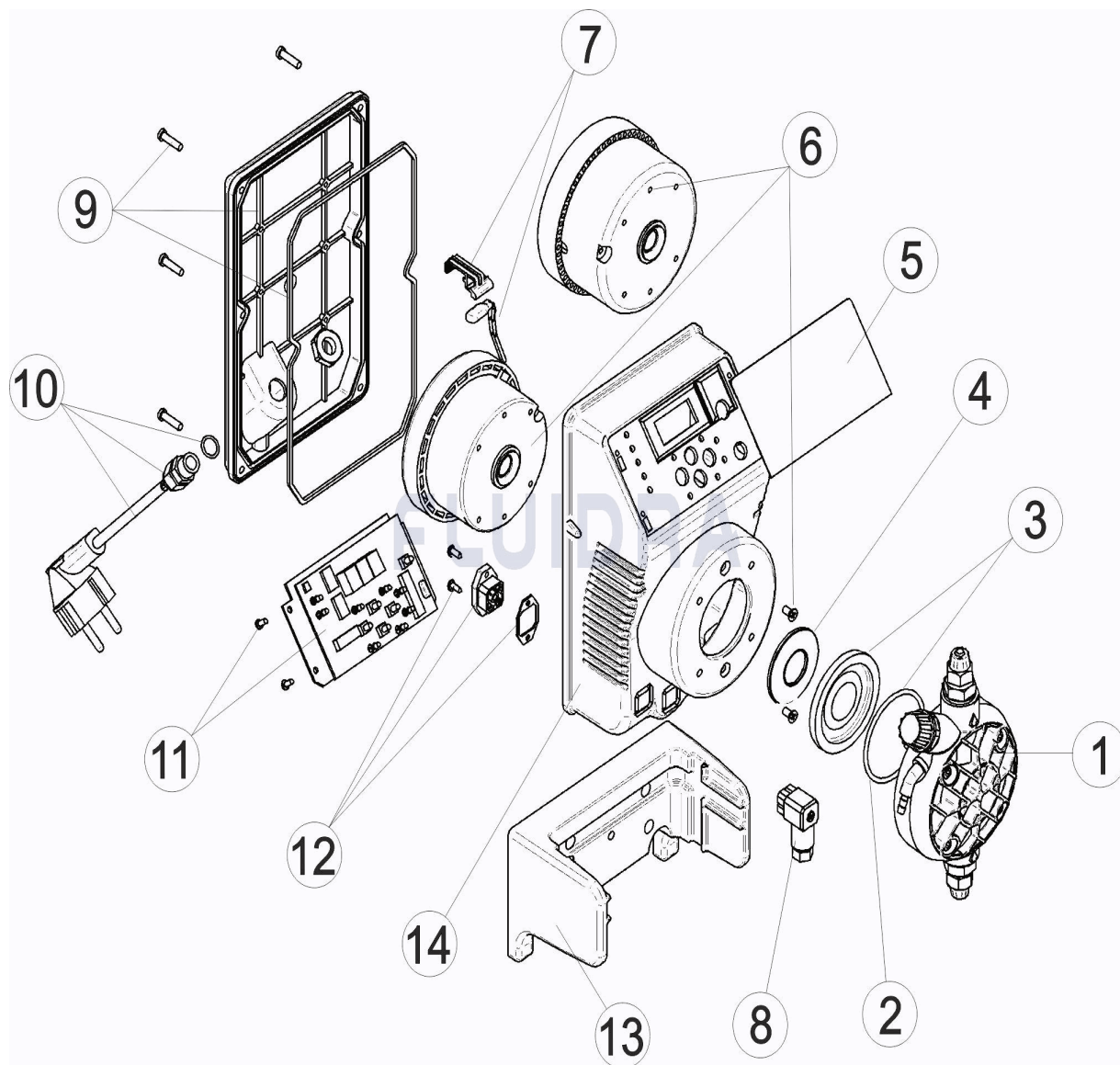
BESCHREIBUNG: **PUMPE EXACTUS CC/M**

## HINWEISE

POS	CODE	HINWEISE
1	* 4408031205	FÜR: 57164, 57165, 57166
1	* 4408030409	FÜR: 57167
2	* 4408030111	FÜR: 57164, 57165, 57166
2	* 4408030413	FÜR: 57167
3	* 4408030119	FÜR: 57164, 57165, 57166
3	* 4408030429	FÜR: 57167
4	* 4408030531	FÜR: 57164
4	* 4408031119	FÜR: 57165
4	* 4408031121	FÜR: 57166
4	* 4408031122	FÜR: 57167
6	* 4408030118	FÜR: 57164
6	* 4408031114	FÜR: 57165
6	* 4408030517	FÜR: 57166
6	* 4408032309	FÜR: 57167

CODIGO 57164, 57165, 57166, 57167

DESCRIÇÃO: BOMBA EXACTUS CC/M



**PORTUGUES**

POS	CODIGO	DESCRIÇÃO	JANTIDADE	POS	CODIGO	DESCRIÇÃO	JANTIDADE
1	* 4408031205	CABEÇAL COMPLETO		6	* 4408031114	ELECTROIMAN 5L 10KG	
1	* 4408030409	CABEÇAL COMPLETO 20L. 5KG.		6	* 4408030517	ELECTROIMAN 10L 5KG	
2	* 4408030111	JUNTA TORICA CABEÇAL		6	* 4408032309	ELECTROIMAN 20L. 5KG	
2	* 4408030413	JUNTA TORICA CABEÇAL 20L 5KG		7	4408032305	SUPORTE MAIS TERMOSTATO DE 110°	
3	* 4408030119	MEMBRANA COMPLETA		8	4408031729	LIGAÇÃO NIVEL	
3	* 4408030429	MEMBRANA COMPLETA 20L 5KG		9	4408030025	TAMPA TRASEIRA BOMBA EXACTUS	
4	* 4408030531	ANILHA PISTON 5L 7KG		10	4408031221	CABO ALIMENTAÇÃO	
4	* 4408031119	ANILHA PISTON 2L 5KG - 2L 10KG - 5L 10K		11	4408031308	CIRCUITO ELECTRONICO CC/M. 230V.	
4	* 4408031121	ANILHA PISTON 10L 5KG		12	4408031217	LIGAÇÃO	
4	* 4408031122	ANILHA PISTON 20L 5KG		13	4408032303	SUPORTE BOMBA EXACTUS 2009	
5	4408032501	PAINEL DIGITAL TÁCTIL CC/M EXACTUS 20		14	57174R0001	CAIXA BOMBA EXACTUS	
6	* 4408030118	ELECTROIMAN COMPLETO 5L 7KG					

**CODIGO**                    **57164, 57165, 57166, 57167**

**DESCRIÇÃO: BOMBA EXACTUS CC/M**

## OBSERVAÇÕES

POS	CODIGO	OBSERVAÇÕES
1	* 4408031205	PARA: 57164, 57165, 57166
1	* 4408030409	PARA: 57167
2	* 4408030111	PARA: 57164, 57165, 57166
2	* 4408030413	PARA: 57167
3	* 4408030119	PARA: 57164, 57165, 57166
3	* 4408030429	PARA: 57167
4	* 4408030531	PARA: 57164
4	* 4408031119	PARA: 57165
4	* 4408031121	PARA: 57166
4	* 4408031122	PARA: 57167
6	* 4408030118	PARA: 57164
6	* 4408031114	PARA: 57165
6	* 4408030517	PARA: 57166
6	* 4408032309	PARA: 57167