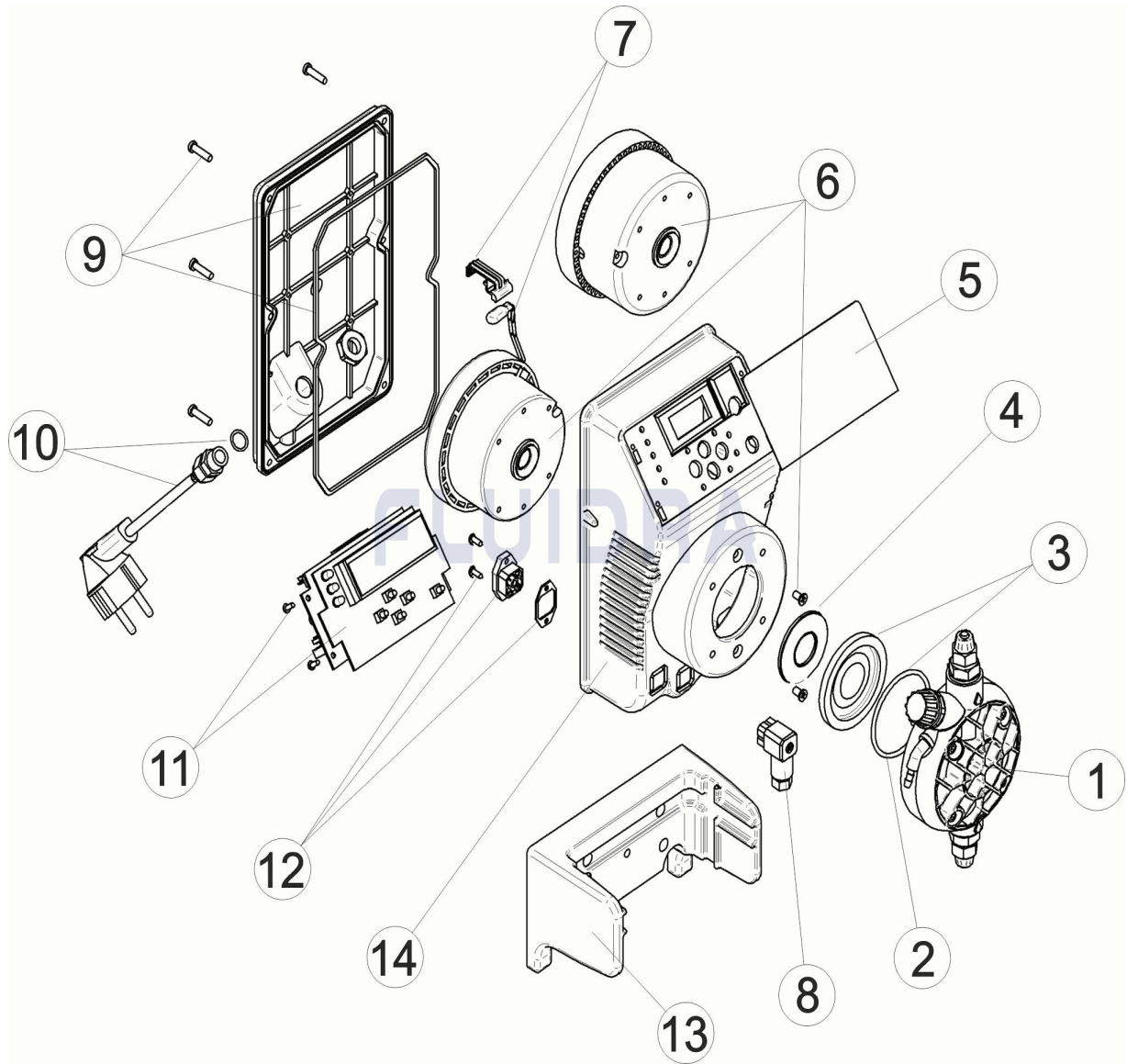


CODIGO 57171, 57172, 57173

DESCRIPCION: BOMBA EXACTUS CL/M



ESPAÑOL

POS	CODIGO	DESCRIPCION	CANTIDAD	POS	CODIGO	DESCRIPCION	CANTIDAD
1	4408031205	CABEZAL COMPLETO		6	* 4408030517	ELECTROIMAN 10L 5KG	
2	4408030111	JUNTA TORICA CABEZAL		7	4408032305	SOPORTE MAS TERMOSTADO 110°	
3	4408030119	MEMBRANA COMPLETA		8	4408031729	CONECTOR DE NIVEL	
4	* 4408030531	ARANDELA PISTON 5L 7KG		9	4408030025	TAPA POSTERIOR EXACTUS CON JUNTA	
4	* 4408031119	ARANDELA PISTON 2L 5KG - 2L 10KG - 5L 1		10	4408031221	CABLE ALIMENTACION	
4	* 4408031121	ARANDELA PISTON 10L 5KG		11	4408032702	CIRCUITO ELECTRONICO CL/M 2009	
5	4408030031	PANEL TACTIL CL/M		12	4408032703	CONECTOR MACHO Sonda DE CLORO CL	
6	* 4408030118	ELECTROIMAN COMPLETO 5L 7KG		13	4408032303	SOPORTE EXACTUS 2009	
6	* 4408031114	ELECTROIMAN 5L 10KG		14	57174R0001	CAJA EXACTUS	

CODIGO 57171, 57172, 57173

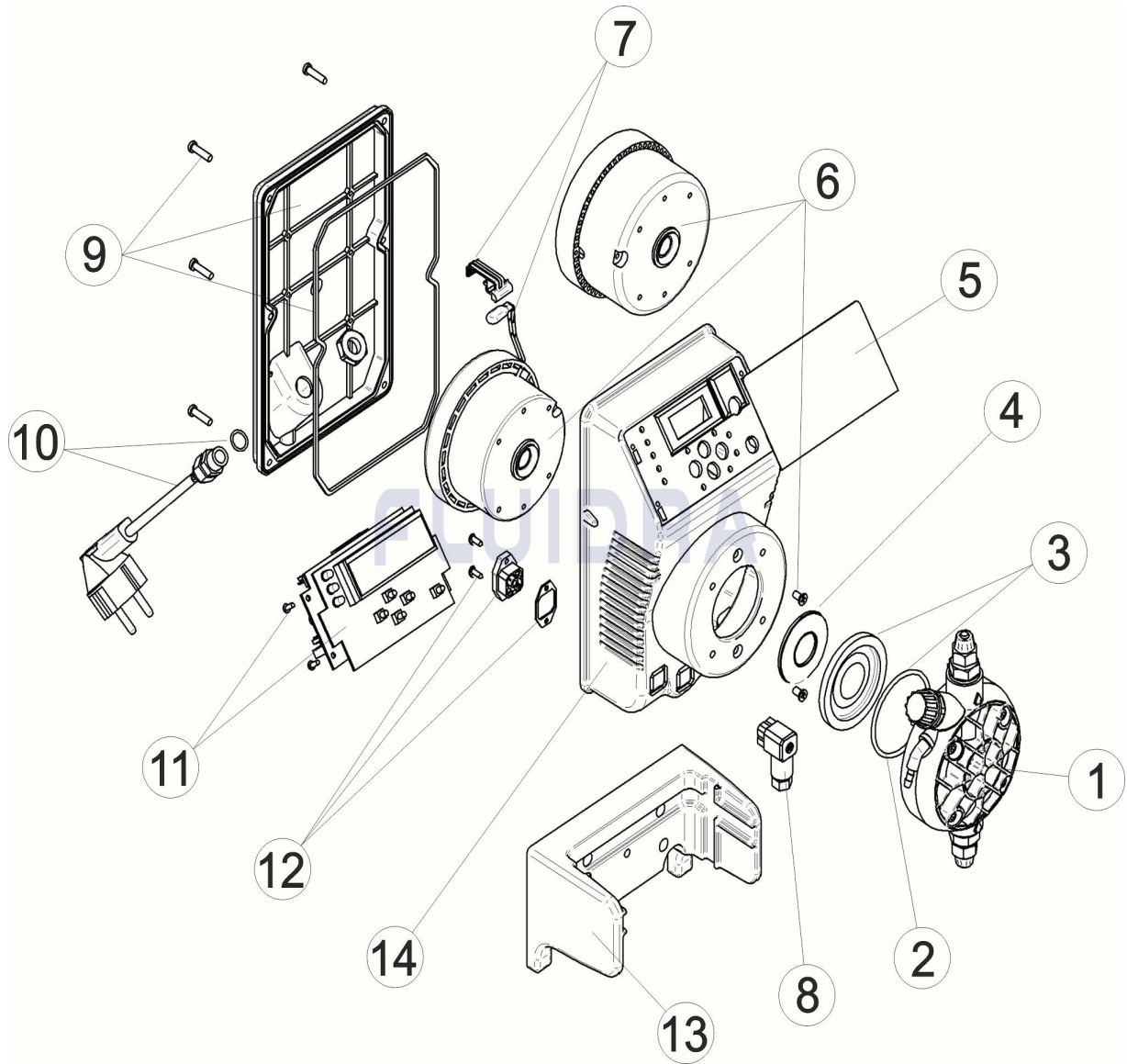
DESCRIPCION: BOMBA EXACTUS CL/M

OBSERVACIONES

POS	CODIGO	OBSERVACIONES
4	* 4408030531	PARA: 57171
4	* 4408031119	PARA: 57172
4	* 4408031121	PARA: 57173
6	* 4408030118	PARA: 57171
6	* 4408031114	PARA: 57172
6	* 4408030517	PARA: 57173

CODE 57171, 57172, 57173

DESCRIPTION: POMPE EXACTUS CL/M



FRANCAIS

POS	CODE	DESCRIPTION	QUANTITE	POS	CODE	DESCRIPTION	QUANTITE
1	4408031205	TETE COMPLET		6	* 4408030517	ELECTROAIMANT 10L 5KG	
2	4408030111	JOINT TORIQUE TETE		7	4408032305	SUPPORT + THERMOSTAT DE 110 °	
3	4408030119	MEMBRANE COMPLETE		8	4408031729	CONNECTEUR DE NIVEAU	
4	* 4408030531	RONDELLE PISTON 5L 7KG		9	4408030025	COUVERCLE POMPE EXACTUS	
4	* 4408031119	RONDELLE PISTON 2L 5KG - 2L 10KG - 5L		10	4408031221	CABLE ALIMENTATION	
4	* 4408031121	RONDELLE PISTON 10L 5KG		11	4408032702	CIRCUIT ELECTRONIQUE CL/M 2009	
5	4408030031	TABLEAU DE CONTROLE TACTILE CL/M		12	4408032703	CONNECTEUR MÂLE	
6	* 4408030118	ELECTROAIMANT COMPLETO 5L 7KG		13	4408032303	SUPPORT DE POMPE EXACTUS 2009	
6	* 4408031114	ELECTROAIMANT 5L 10KG		14	57174R0001	BOITIER DE POMPE EXACTUS	

CODE **57171, 57172, 57173**

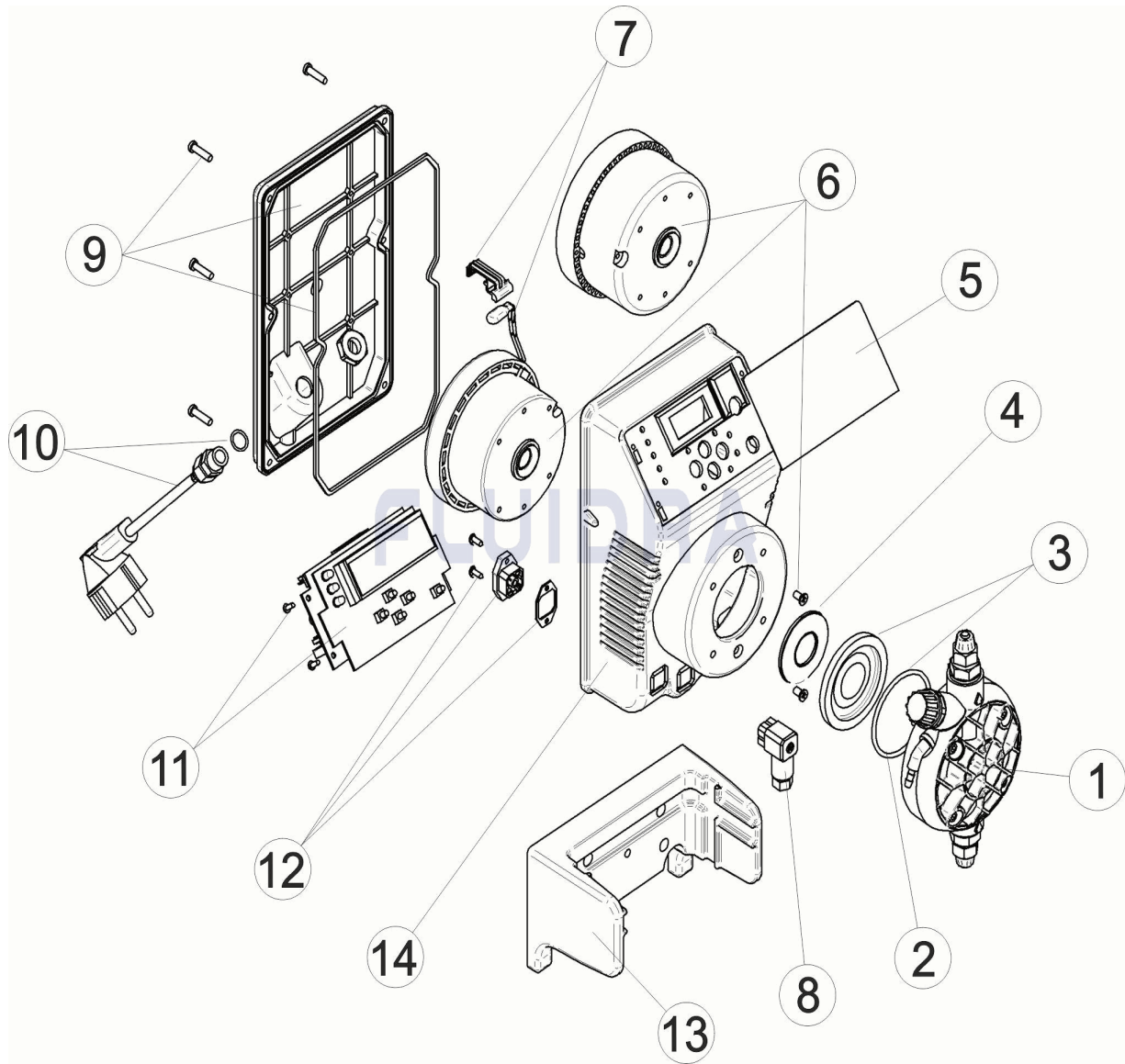
DESCRIPTION: **POMPE EXACTUS CL/M**

OBSERVATIONS

POS	CODE	OBSERVATIONS
4	* 4408030531	POUR: 57171
4	* 4408031119	POUR: 57172
4	* 4408031121	POUR: 57173
6	* 4408030118	POUR: 57171
6	* 4408031114	POUR: 57172
6	* 4408030517	POUR: 57173

CODE 57171, 57172, 57173

DESCRIPTION: EXACTUS PUMP CL/M



ENGLISH

POS	CODE	DESCRIPTION	QUANTITY	POS	CODE	DESCRIPTION	QUANTITY
1	4408031205	COMPLETE HEAD ASSEMBLY		6	* 4408030517	ELECTROMAGNET 10L 5KG	
2	4408030111	HEAD O RING		7	4408032305	SUPPORT AND THERMOSTAT 110°	
3	4408030119	DIAPHRAM COMPLETE		8	4408031729	FEMALE CONNECTOR BCN	
4	* 4408030531	PISTON WASHER 5L 7KG		9	4408030025	PUMP REAR COVER	
4	* 4408031119	PISTON WASHER 2L 5KG - 2L 10KG - 5L 10I		10	4408031221	SUPPLY CABLE	
4	* 4408031121	PISTON WASHER 10L 5KG		11	4408032702	ELECTRONIC CIRCUIT CL/M 2009.	
5	4408030031	TOUCH SCREEN PANEL CL/M		12	4408032703	MALE CONNECTOR	
6	* 4408030118	ELECTROMAGNET ASSEMBLY COMPLETE		13	4408032303	PUMP SUPPORT 2009	
6	* 4408031114	ELECTROMAGNET 5L 10KG		14	57174R0001	EXACTUS PUMP BOX	

CODE **57171, 57172, 57173**

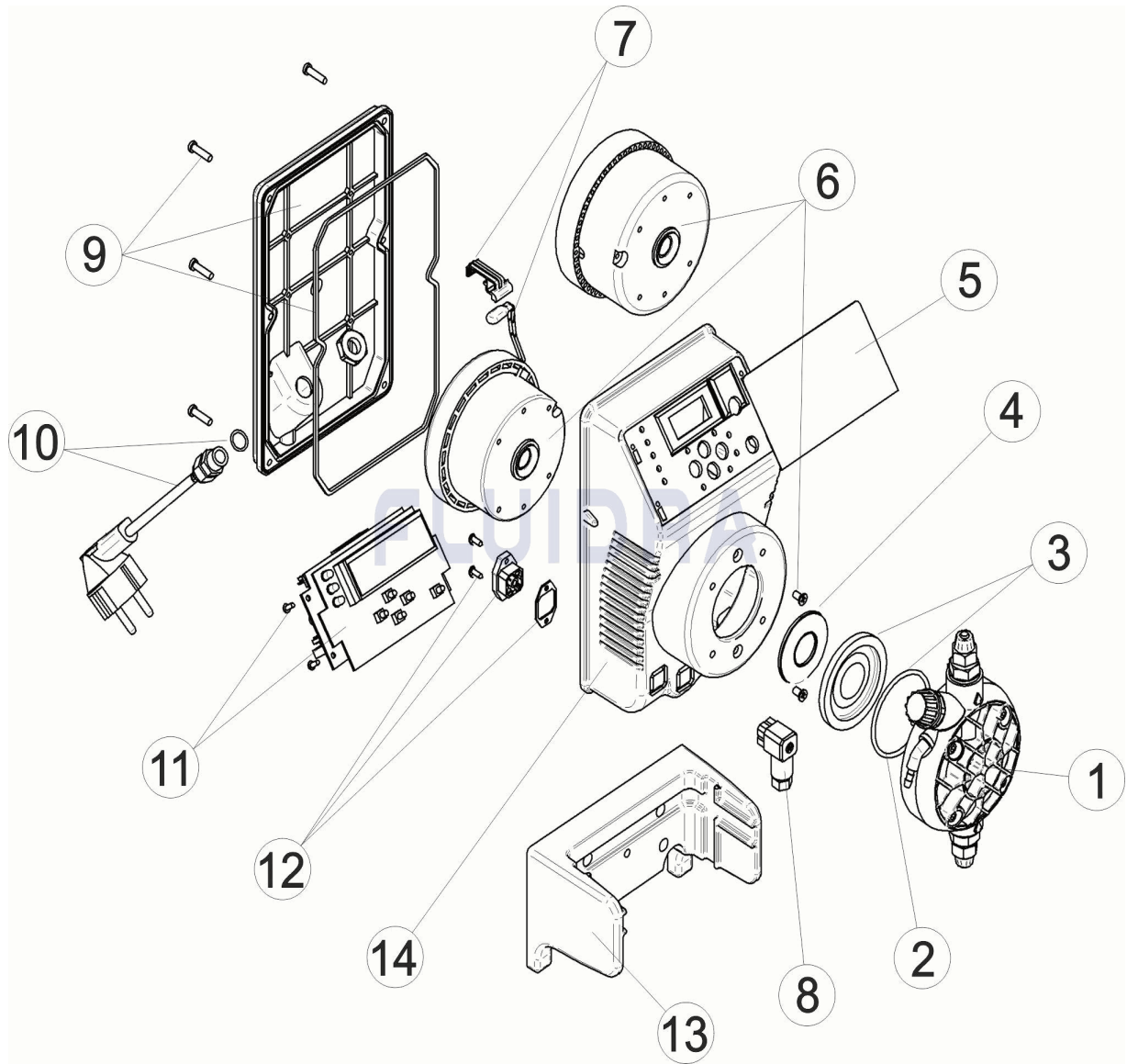
DESCRIPTION: **EXACTUS PUMP CL/M**

OBSERVATIONS

POS	CODE	OBSERVATIONS
4	* 4408030531	FOR: 57171
4	* 4408031119	FOR: 57172
4	* 4408031121	FOR: 57173
6	* 4408030118	FOR: 57171
6	* 4408031114	FOR: 57172
6	* 4408030517	FOR: 57173

CODICE 57171, 57172, 57173

DESCRIZIONE: POMPA EXACTUS CL/M



ITALIANO

POS	CODICE	DESCRIZIONE	QUANTITA'	POS	CODICE	DESCRIZIONE	QUANTITA'
1	4408031205	TESTA COMPLETA		6	* 4408030517	ELETTROCALAMITA 10L 5KG	
2	4408030111	O-RING PER TESTA		7	4408032305	SUPPORTO + TERMOSTATO 110°	
3	4408030119	MEMBRANA COMPLETA		8	4408031729	CONNETTORE DI LIVELLO	
4	* 4408030531	RONDELLA PISTONE 5L 7KG		9	4408030025	COPRIVENTOLA POMPA EXACTUS	
4	* 4408031119	RONDELLA PISTONE 2L 5KG - 2L 10KG - 5L		10	4408031221	CAVO DI ALIMENTAZIONE	
4	* 4408031121	RONDELLA PISTONE 10L 5KG		11	4408032702	CIRCUITO ELETTRONICO CL/M 2009	
5	4408030031	PANNELLO DIGITALE CL/M		12	4408032703	CONNETTORE MASCHIO	
6	* 4408030118	ELETTROCALAMITA COMPLETA 5L 7KG		13	4408032303	SUPPORTO POMPA EXACTUS 2009	
6	* 4408031114	ELETTROCALAMITA 5L 10KG		14	57174R0001	CASSA POMPA EXACTUS	

CODICE **57171, 57172, 57173**

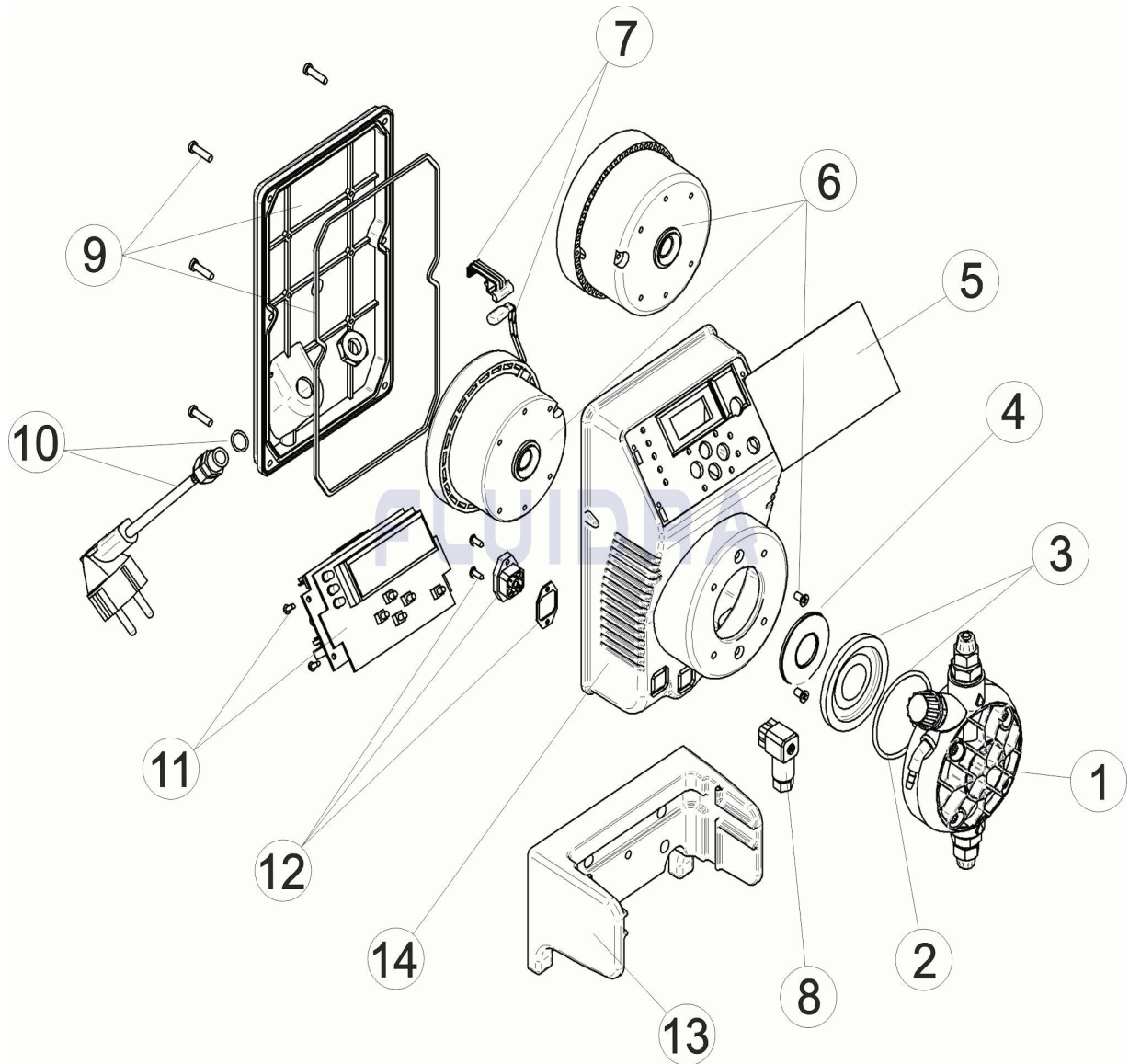
DESCRIZIONE: POMPA EXACTUS CL/M

OSSERVAZIONI

POS	CODICE	OSSERVAZIONI
4	* 4408030531	PER: 57171
4	* 4408031119	PER: 57172
4	* 4408031121	PER: 57173
6	* 4408030118	PER: 57171
6	* 4408031114	PER: 57172
6	* 4408030517	PER: 57173

CODE 57171, 57172, 57173

BESCHREIBUNG: PUMPE EXACTUS CL/M



DEUTSCH

POS	CODE	BESCHREIBUNG	MENGE	POS	CODE	BESCHREIBUNG	MENGE
1	4408031205	KOPFSTÜCK KOMPLETT		6	* 4408030517	ELEKTROMAGNET 10 L 5 KG	
2	4408030111	O-RING KOPFSTÜCK		7	4408032305	HALTERUNG UND THERMOSTAT 110°	
3	4408030119	KOMPLETTMEMBERAN		8	4408031729	VERBINDUNGSSTÜCK FÜLLSTAND	
4	* 4408030531	KOLBENSCHLEIFE 5 L 7 KG		9	4408030025	ABDECKUNG HINTEN EXACTUS UND DICH	
4	* 4408031119	KOLBENSCHLEIFE 2 L 5 KG - 2 L 10 KG - 5 L		10	4408031221	VERSORUNGSKABEL	
4	* 4408031121	KOLBENSCHLEIFE 10 L 5 KG		11	4408032702	PLATINE SCHALTREIS CL/M 2009	
5	4408030031	TOUCHSCREEN CL/M		12	4408032703	STECKER CHLORSONDE CL/M	
6	* 4408030118	ELEKTROMAGNET KOMPLETT 5 L 7 KG		13	4408032303	HALTERUNG EXACTUS 2009	
6	* 4408031114	ELEKTROMAGNET 5 L 10 KG		14	57174R0001	GEHÄUSE EXACTUS	

CODE **57171, 57172, 57173**

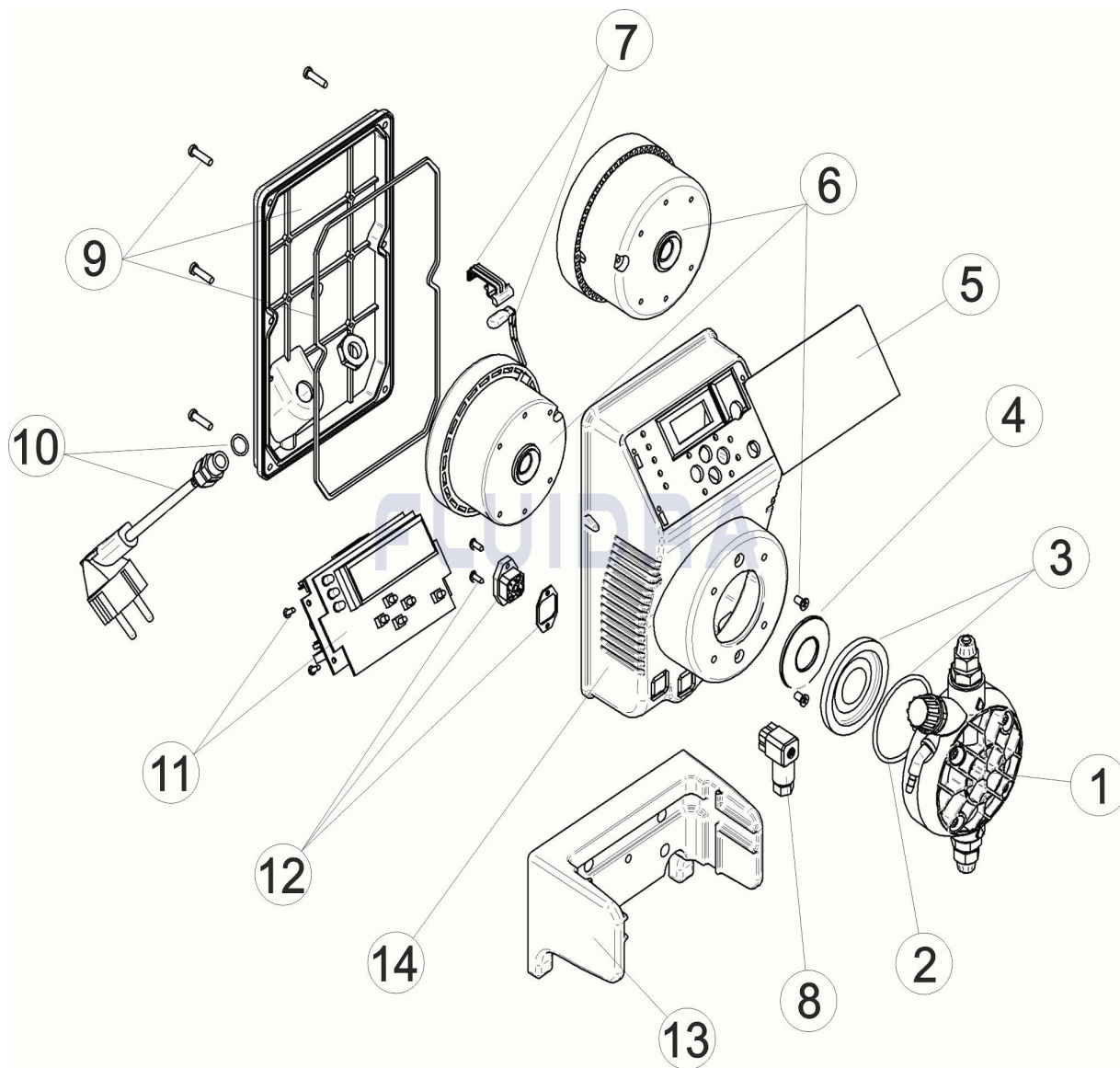
BESCHREIBUNG: **PUMPE EXACTUS CL/M**

HINWEISE

POS	CODE	HINWEISE
4	* 4408030531	FÜR: 57171
4	* 4408031119	FÜR: 57172
4	* 4408031121	FÜR: 57173
6	* 4408030118	FÜR: 57171
6	* 4408031114	FÜR: 57172
6	* 4408030517	FÜR: 57173

CODIGO 57171, 57172, 57173

DESCRIÇÃO: BOMBA EXACTUS CL/M



PORTUGUES

POS	CODIGO	DESCRIÇÃO	JANTIDADE	POS	CODIGO	DESCRIÇÃO	JANTIDADE
1	4408031205	CABEÇAL COMPLETO		6	* 4408030517	ELECTROIMAN 10L 5KG	
2	4408030111	JUNTA TORICA CABEÇAL		7	4408032305	SUPORE MAIS TERMOSTATO DE 110°	
3	4408030119	MEMBRANA COMPLETA		8	4408031729	LIGAÇÃO NIVEL	
4	* 4408030531	ANILHA PISTON 5L 7KG		9	4408030025	TAMPA TRASEIRA BOMBA EXACTUS	
4	* 4408031119	ANILHA PISTON 2L 5KG - 2L 10KG - 5L 10K		10	4408031221	CABO ALIMENTAÇÃO	
4	* 4408031121	ANILHA PISTON 10L 5KG		11	4408032702	CIRCUITO ELECTRONICO CL/M 2009	
5	4408030031	PAINEL DIGITAL TÁCTIL CL/M		12	4408032703	LIGAÇÃO MACHO	
6	* 4408030118	ELECTROIMAN COMPLETO 5L 7KG		13	4408032303	SUPORE BOMBA EXACTUS 2009	
6	* 4408031114	ELECTROIMAN 5L 10KG		14	57174R0001	CAIXA BOMBA EXACTUS	

CODIGO **57171, 57172, 57173**

DESCRIÇÃO: BOMBA EXACTUS CL/M

OBSERVAÇÕES

POS	CODIGO	OBSERVAÇÕES
4	* 4408030531	PARA: 57171
4	* 4408031119	PARA: 57172
4	* 4408031121	PARA: 57173
6	* 4408030118	PARA: 57171
6	* 4408031114	PARA: 57172
6	* 4408030517	PARA: 57173