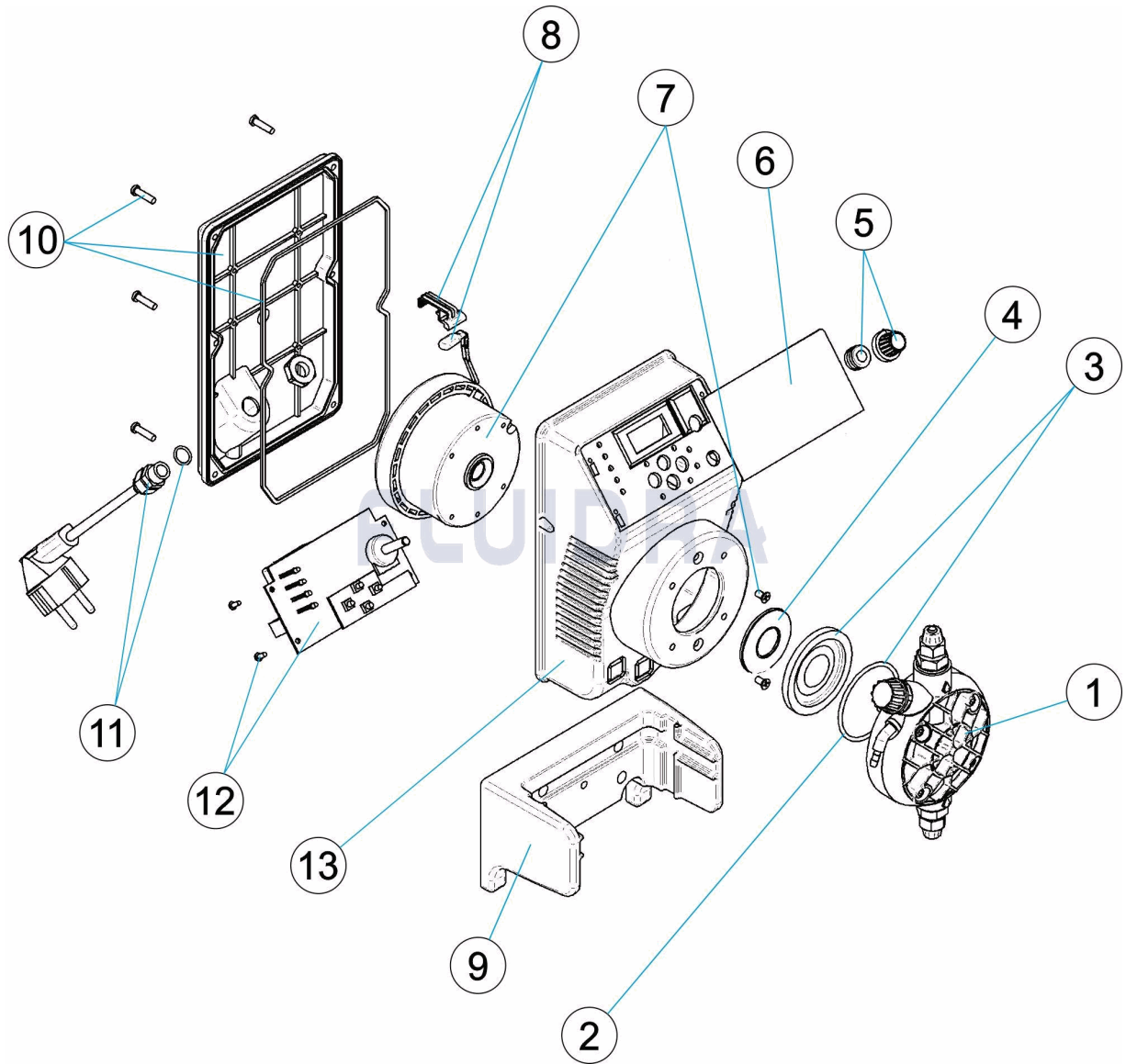


CODIGO **57153, 57154, 57155, 57156, 57157, 57158**

DESCRIPCION: **BOMBA EXACTUS MA/AD**



ESPAÑOL

POS	CODIGO	DESCRIPCION	CANTIDAD	POS	CODIGO	DESCRIPCION	CANTIDAD
1	* 4408031205	CABEZAL COMPLETO		7	* 4408030118	ELECTROIMAN COMPLETO 5L 7KG	
1	* 4408030409	CABEZAL COMPLETO 20L. 5KG.		7	* 4408031114	ELECTROIMAN 5L 10KG	
2	* 4408030111	JUNTA TORICA CABEZAL		7	* 4408030517	ELECTROIMAN 10L 5KG	
2	* 4408030413	JUNTA TORICA CABEZAL 20L 5KG		7	* 4408032309	ELECTROIMAN 20L. -5KG.	
3	* 4408030119	MEMBRANA COMPLETA		8	4408032305	SOPORTE MAS TERMOSTADO 110°	
3	* 4408030429	MEMBRANA COMPLETA 20L 5KG		9	4408032303	SOPORTE EXACTUS 2009	
4	* 4408031119	ARANDELA PISTON 2L 5KG - 2L 10KG - 5L 1		10	4408030025	TAPA POSTERIOR EXACTUS CON JUNTA	
4	* 4408030531	ARANDELA PISTON 5L 7KG		11	4408031221	CABLE ALIMENTACION	
4	* 4408031121	ARANDELA PISTON 10L 5KG		12	* 4408032306	CIRCUITO ELECTRONICO MA/AD. 230/240V	
4	* 4408031122	ARANDELA PISTON 20L 5KG		12	* 4408032310	CIRCUITO MA/AD 2-5-10L 230V FASTON 201	
5	4408031806	ARANDELA Y MANDO POTENCIOMETRO		12	* 4408032307	CIRCUITO ELECTRONICO MA/AD. 230/140V	
6	4408030029	PANEL TACTIL MA/AD		12	* 4408032311	CIRCUITO MA/AD 20L 230V FASTON 2019	
7	* 4408030921	ELECTROIMAN 2 L. 5KG		13	57158R0001	CAJA EXACTUS	

*** NOTA OBSERVACIONES**

CODIGO **57153, 57154, 57155, 57156, 57157, 57158**DESCRIPCION: **BOMBA EXACTUS MA/AD**

7	* 4408031112	ELECTROIMAN 2L 10KG			
---	--------------	---------------------	--	--	--

CODIGO 57153, 57154, 57155, 57156, 57157, 57158

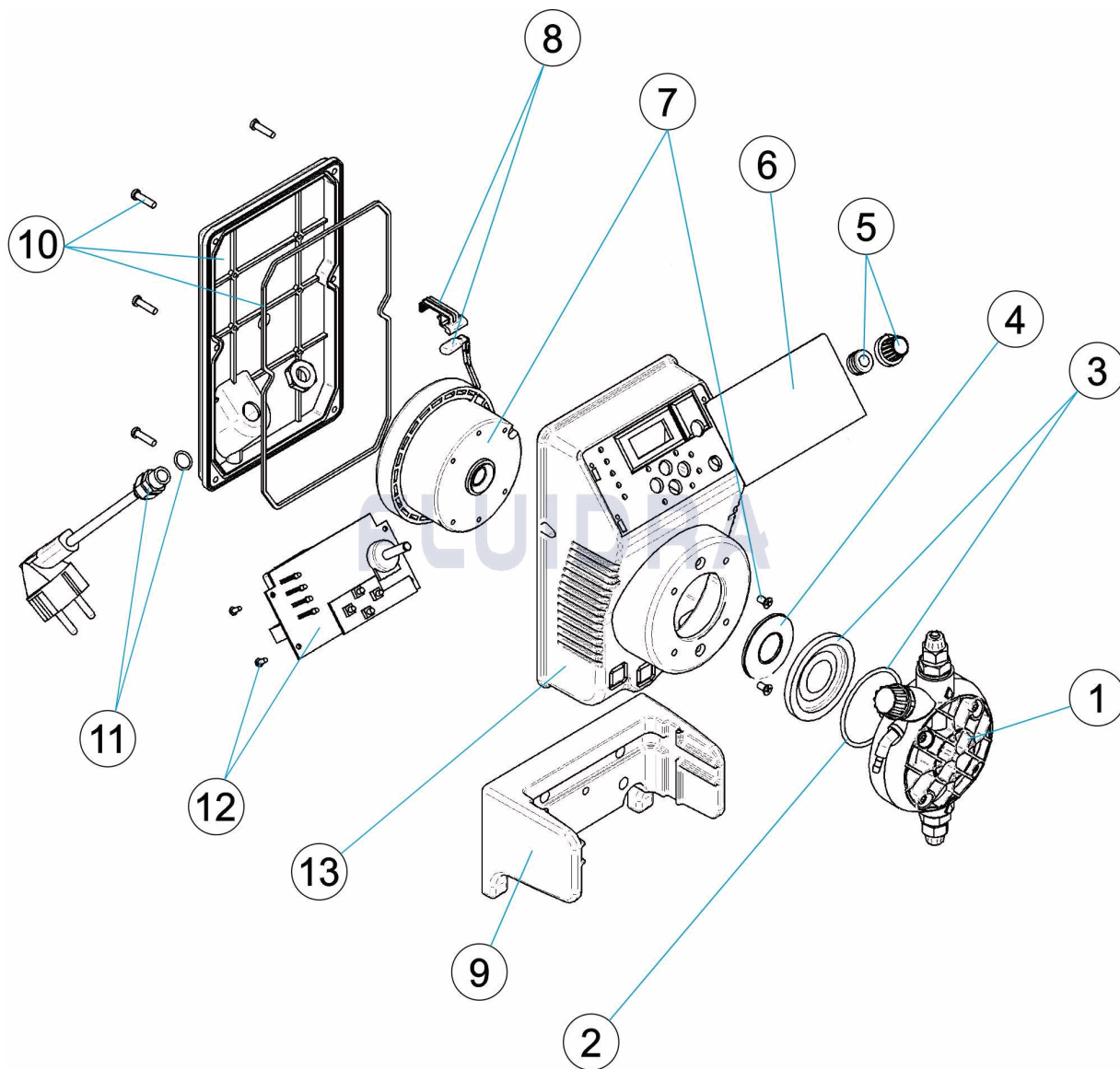
DESCRIPCION: BOMBA EXACTUS MA/AD

OBSERVACIONES

POS	CODIGO	OBSERVACIONES
1	* 4408031205	PARA: 57153, 57154, 57155, 57156, 57157
1	* 4408030409	PARA: 57158
2	* 4408030111	PARA: 57153, 57154, 57155, 57156, 57157
2	* 4408030413	PARA: 57158
3	* 4408030119	PARA: 57153, 57154, 57155, 57156, 57157
3	* 4408030429	PARA: 57158
4	* 4408031119	PARA: 57153, 57154, 57156
4	* 4408030531	PARA: 57155
4	* 4408031121	PARA: 57157
4	* 4408031122	PARA: 57158
7	* 4408030921	PARA: 57153
7	* 4408031112	PARA: 57154
7	* 4408030118	PARA: 57155
7	* 4408031114	PARA: 57156
7	* 4408030517	PARA: 57157
7	* 4408032309	PARA: 57158
12	* 4408032306	PARA: 57153, 57154, 57155, 57156, 57157 ≤ 02/2018
12	* 4408032310	PARA: 57153, 57154, 57155, 57156, 57157 ≥ 01/2019
12	* 4408032307	PARA: 57158 ≤ 02/2018
12	* 4408032311	PARA: 57158 ≥ 01/2019

CODE 57153, 57154, 57155, 57156, 57157, 57158

DESCRIPTION: POMPE EXACTUS CL/M



FRANCAIS

POS	CODE	DESCRIPTION	QUANTITE	POS	CODE	DESCRIPTION	QUANTITE
1	* 4408031205	TETE COMPLET		7	* 4408030118	ELECTROAIMANT COMPLETO 5L 7KG	
1	* 4408030409	TETE COMPLET 20L. 5KG.		7	* 4408031114	ELECTROAIMANT 5L 10KG	
2	* 4408030111	JOINT TORIQUE TETE		7	* 4408030517	ELECTROAIMANT 10L 5KG	
2	* 4408030413	JOINT TORIQUE TETE 20L 5KG		7	* 4408032309	ELECTROAIMANT 20L. 5KG	
3	* 4408030119	MEMBRANE COMPLETE		8	4408032305	SUPPORT + THERMOSTAT DE 110 °	
3	* 4408030429	MEMBRANE COMPLETE 20L 5KG		9	4408032303	SUPPORT DE POMPE EXACTUS 2009	
4	* 4408031119	RONDELLE PISTON 2L 5KG - 2L 10KG - 5L		10	4408030025	COUVERCLE POMPE EXACTUS	
4	* 4408030531	RONDELLE PISTON 5L 7KG		11	4408031221	CABLE ALIMENTATION	
4	* 4408031121	RONDELLE PISTON 10L 5KG		12	* 4408032306	CIRCUIT ELECTRONIQUE MAM. 2009	
4	* 4408031122	RONDELLE PISTON 20L 5KG		12	* 4408032310	CIRCUIT MA/AD 2-5-10L 230V FASTON 2019	
5	4408031806	RONDELLE ET TÉLÉCOMMANDE POTENTI		12	* 4408032307	CIRCUIT ELECTRONIQUE MA/AD. 20L 5KG ;	
6	4408030029	TABEAU DE CONTROLE TACTILE MA/AD		12	* 4408032311	CIRCUIT MA/AD 20L 230V FASTON 2019	
7	* 4408030921	ELECTROAIMANT 2 L. 5KG		13	57158R0001	BOITIER DE POMPE EXACTUS	

* VOIR FICHE D'OBSERVATIONS

CODE **57153, 57154, 57155, 57156, 57157, 57158**

DESCRIPTION: **POMPE EXACTUS CL/M**

7	* 4408031112	ELECTROAIMANT 2L 10KG			
---	--------------	-----------------------	--	--	--

CODE **57153, 57154, 57155, 57156, 57157, 57158**

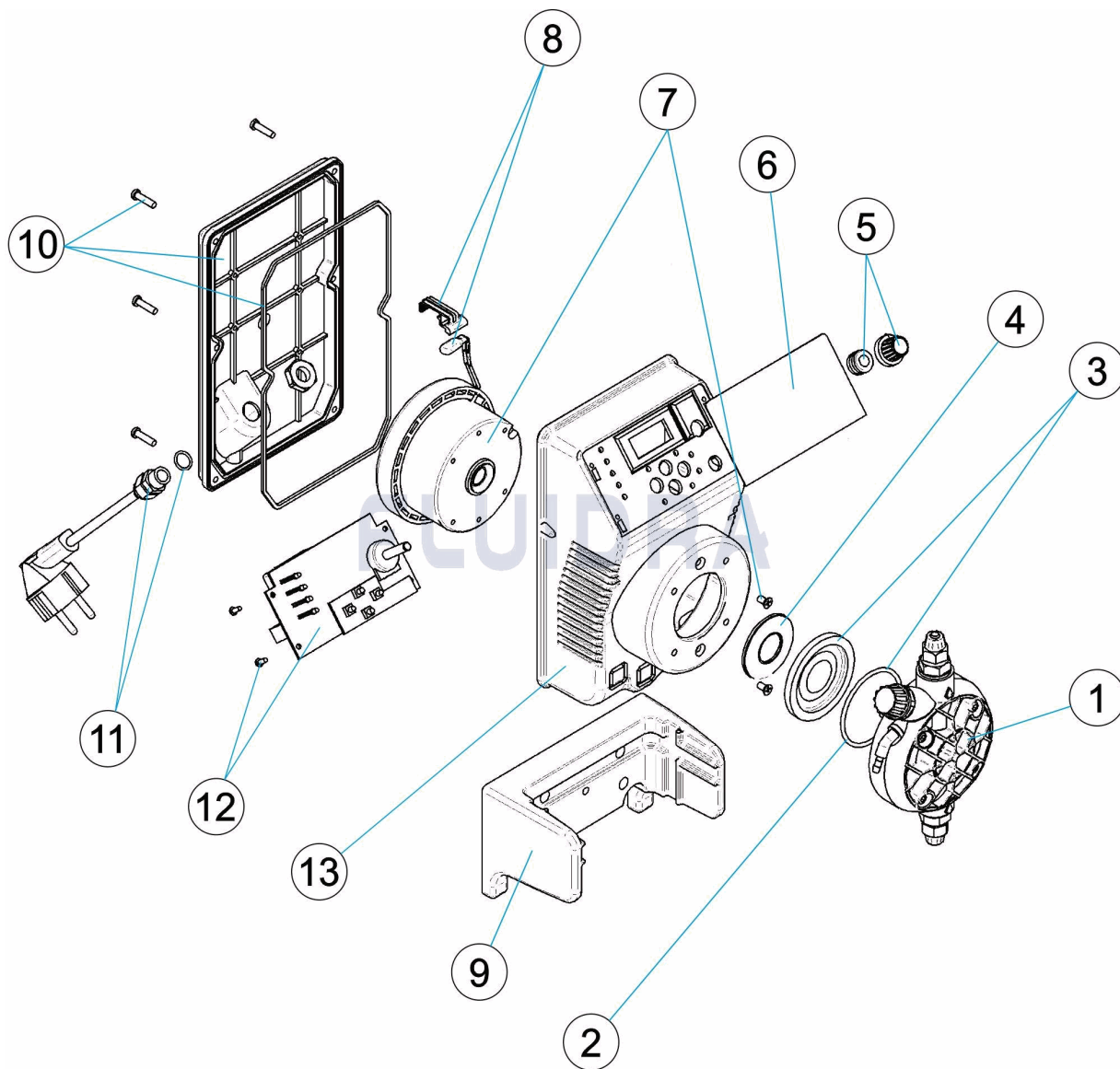
DESCRIPTION: **POMPE EXACTUS CL/M**

OBSERVATIONS

POS	CODE	OBSERVATIONS
1	* 4408031205	POUR: 57153, 57154, 57155, 57156, 57157
1	* 4408030409	POUR: 57158
2	* 4408030111	POUR: 57153, 57154, 57155, 57156, 57157
2	* 4408030413	POUR: 57158
3	* 4408030119	POUR: 57153, 57154, 57155, 57156, 57157
3	* 4408030429	POUR: 57158
4	* 4408031119	POUR: 57153, 57154, 57156
4	* 4408030531	POUR: 57155
4	* 4408031121	POUR: 57157
4	* 4408031122	POUR: 57158
7	* 4408030921	POUR: 57153
7	* 4408031112	POUR: 57154
7	* 4408030118	POUR: 57155
7	* 4408031114	POUR: 57156
7	* 4408030517	POUR: 57157
7	* 4408032309	POUR: 57158
12	* 4408032306	POUR: 57153, 57154, 57155, 57156, 57157 ≤ 02/2018
12	* 4408032310	POUR: 57153, 57154, 57155, 57156, 57157 ≥ 01/2019
12	* 4408032307	POUR: 57158 ≤ 02/2018
12	* 4408032311	POUR: 57158 ≥ 01/2019

CODE 57153, 57154, 57155, 57156, 57157, 57158

DESCRIPTION: EXACTUS PUMP MA/AD



ENGLISH

POS	CODE	DESCRIPTION	QUANTITY	POS	CODE	DESCRIPTION	QUANTITY
1	* 4408031205	COMPLETE HEAD ASSEMBLY		7	* 4408030118	ELECTROMAGNET ASSEMBLY COMPLETE	
1	* 4408030409	COMPLETE HEAD ASSEMBLY 20L. 5KG.		7	* 4408031114	ELECTROMAGNET 5L 10KG	
2	* 4408030111	HEAD O RING		7	* 4408030517	ELECTROMAGNET 10L 5KG	
2	* 4408030413	HEAD O RING 20L 5KG		7	* 4408032309	ELECTROMAGNET 20L. - 5KG	
3	* 4408030119	DIAPHRAM COMPLETE		8	4408032305	SUPPORT AND THERMOSTAT 110°	
3	* 4408030429	DIAPHRAM COMPLETE 20L 5KG		9	4408032303	PUMP SUPPORT 2009	
4	* 4408031119	PISTON WASHER 2L 5KG - 2L 10KG - 5L 10l		10	4408030025	PUMP REAR COVER	
4	* 4408030531	PISTON WASHER 5L 7KG		11	4408031221	SUPPLY CABLE	
4	* 4408031121	PISTON WASHER 10L 5KG		12	* 4408032306	ELECTRONIC CIRCUIT MA/AD 2009	
4	* 4408031122	PISTON WASHER 20L 5KG		12	* 4408032310	CIRCUIT MA/AD 2-5-10L 230V FASTON 2019	
5	4408031806	WASHER AND POTENTIOMETER KNOB		12	* 4408032307	ELECTRONIC CIRCUIT MA/AD .20L 5KG. 20l	
6	4408030029	TOUCH SCREEN PANEL MA/AD		12	* 4408032311	CIRCUIT MA/AD 20L 230V FASTON 2019	
7	* 4408030921	ELECTROMAGNET 2 L. 5KG		13	57158R0001	EXACTUS PUMP BOX	

* SEE OBSERVATIONS SHEET

CODE **57153, 57154, 57155, 57156, 57157, 57158**

DESCRIPTION: **EXACTUS PUMP MA/AD**

7	* 4408031112	ELECTROMAGNET 2L 10KG			
---	--------------	-----------------------	--	--	--

CODE **57153, 57154, 57155, 57156, 57157, 57158**

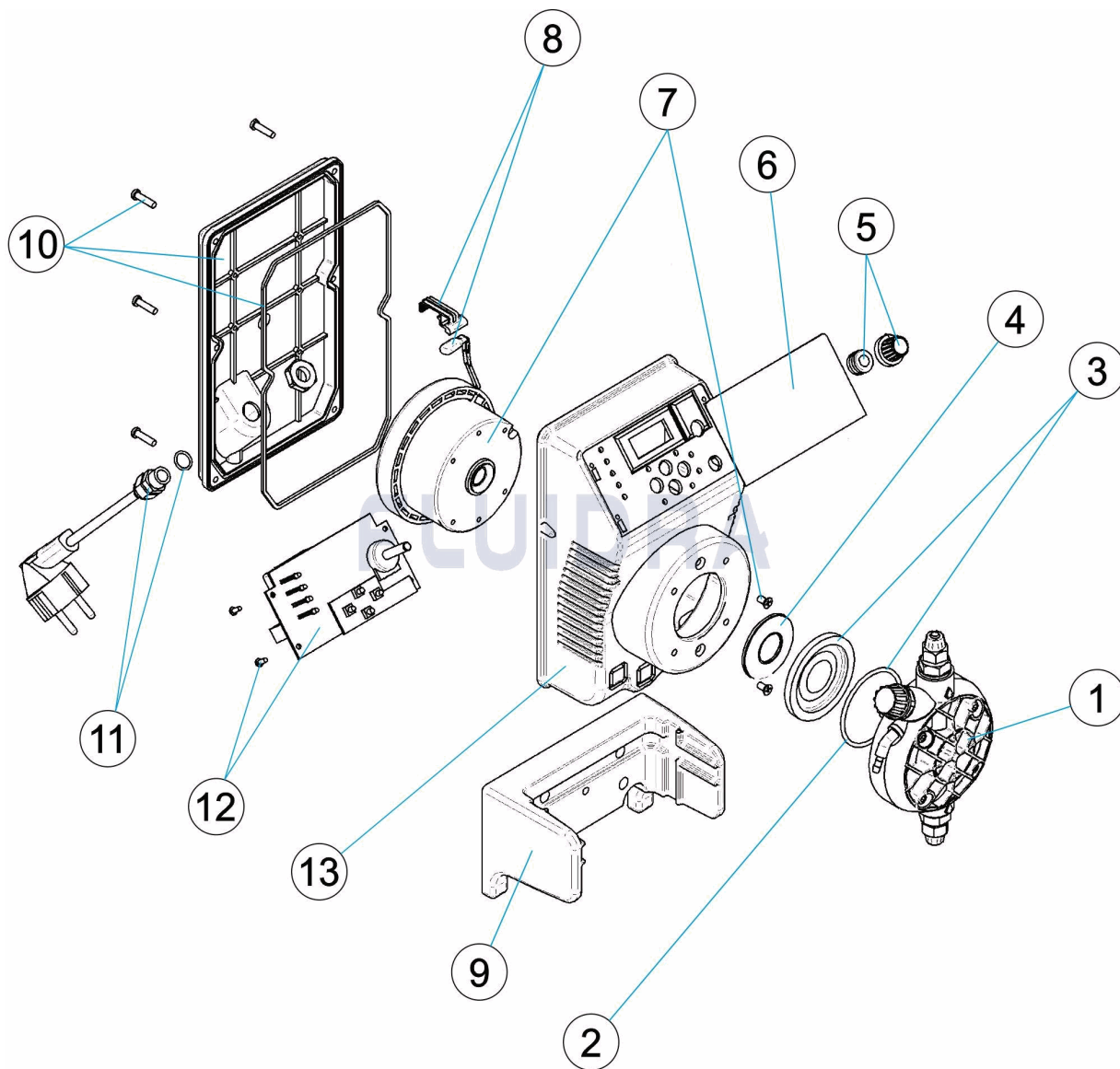
DESCRIPTION: **EXACTUS PUMP MA/AD**

OBSERVATIONS

POS	CODE	OBSERVATIONS
1	* 4408031205	FOR: 57153, 57154, 57155, 57156, 57157
1	* 4408030409	FOR: 57158
2	* 4408030111	FOR: 57153, 57154, 57155, 57156, 57157
2	* 4408030413	FOR: 57158
3	* 4408030119	FOR: 57153, 57154, 57155, 57156, 57157
3	* 4408030429	FOR: 57158
4	* 4408031119	FOR: 57153, 57154, 57156
4	* 4408030531	FOR: 57155
4	* 4408031121	FOR: 57157
4	* 4408031122	FOR: 57158
7	* 4408030921	FOR: 57153
7	* 4408031112	FOR: 57154
7	* 4408030118	FOR: 57155
7	* 4408031114	FOR: 57156
7	* 4408030517	FOR: 57157
7	* 4408032309	FOR: 57158
12	* 4408032306	FOR: 57153, 57154, 57155, 57156, 57157 ≤ 02/2018
12	* 4408032310	FOR: 57153, 57154, 57155, 57156, 57157 ≥ 01/2019
12	* 4408032307	FOR: 57158 ≤ 02/2018
12	* 4408032311	FOR: 57158 ≥ 01/2019

CODICE 57153, 57154, 57155, 57156, 57157, 57158

DESCRIZIONE: POMPA EXACTUS MA/AD



ITALIANO

POS	CODICE	DESCRIZIONE	QUANTITA'	POS	CODICE	DESCRIZIONE	QUANTITA'
1	* 4408031205	TESTA COMPLETA		7	* 4408030118	ELETTROCALAMITA COMPLETA 5L 7KG	
1	* 4408030409	TESTA COMPLETA 20L. 5KG.		7	* 4408031114	ELETTROCALAMITA 5L 10KG	
2	* 4408030111	O-RING PER TESTA		7	* 4408030517	ELETTROCALAMITA 10L 5KG	
2	* 4408030413	O-RING TESTA 20L 5KG		7	* 4408032309	ELETTROCALAMITA 20L. 5KG.	
3	* 4408030119	MEMBRANA COMPLETA		8	4408032305	SUPPORTO + TERMOSTATO 110°	
3	* 4408030429	MEMBRANA COMPLETA 20L 5KG		9	4408032303	SUPPORTO POMPA EXACTUS 2009	
4	* 4408031119	RONDELLA PISTONE 2L 5KG - 2L 10KG - 5L		10	4408030025	COPRIVENTOLA POMPA EXACTUS	
4	* 4408030531	RONDELLA PISTONE 5L 7KG		11	4408031221	CAVO DI ALIMENTAZIONE	
4	* 4408031121	RONDELLA PISTONE 10L 5KG		12	* 4408032306	CIRCUITO ELETTRONICO MA/AD. 2009	
4	* 4408031122	RONDELLA PISTONE 20L 5KG		12	* 4408032310	CIRCUITO MA/AD 2-5-10L 230V FASTON 201	
5	4408031806	RONDELLA E COMANDO POTENZIOMETRICO		12	* 4408032307	CIRCUITO ELETTRONICO MA/AD. 20L 5KG ;	
6	4408030029	PANNELLO DIGITALE MA/AD		12	* 4408032311	CIRCUITO MA/AD 20L 230V FASTON 2019	
7	* 4408030921	ELETTROCALAMITA 2 L. 5KG		13	57158R0001	CASSA POMPA EXACTUS	

*** SI FACCIA RIFERIMENTO AL FOGLIO DELLE OSSERVAZIONI**

CODICE **57153, 57154, 57155, 57156, 57157, 57158**

DESCRIZIONE: **POMPA EXACTUS MA/AD**

7	* 4408031112	ELETTROCALAMITA 2L 10KG			
---	--------------	-------------------------	--	--	--

CODICE **57153, 57154, 57155, 57156, 57157, 57158**

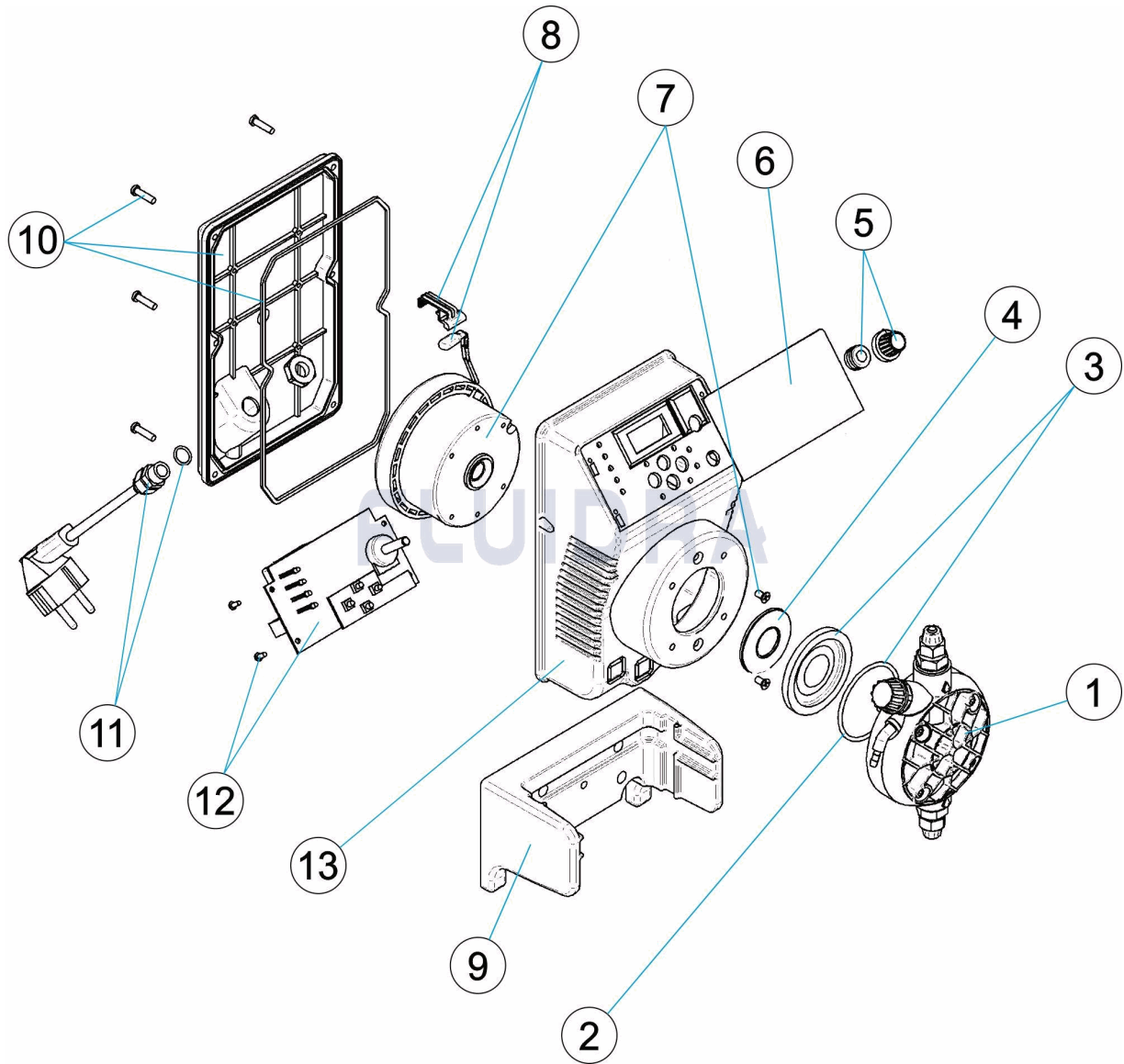
DESCRIZIONE: **POMPA EXACTUS MA/AD**

OSSERVAZIONI

POS	CODICE	OSSERVAZIONI
1	* 4408031205	PER: 57153, 57154, 57155, 57156, 57157
1	* 4408030409	PER: 57158
2	* 4408030111	PER: 57153, 57154, 57155, 57156, 57157
2	* 4408030413	PER: 57158
3	* 4408030119	PER: 57153, 57154, 57155, 57156, 57157
3	* 4408030429	PER: 57158
4	* 4408031119	PER: 57153, 57154, 57156
4	* 4408030531	PER: 57155
4	* 4408031121	PER: 57157
4	* 4408031122	PER: 57158
7	* 4408030921	PER: 57153
7	* 4408031112	PER: 57154
7	* 4408030118	PER: 57155
7	* 4408031114	PER: 57156
7	* 4408030517	PER: 57157
7	* 4408032309	PER: 57158
12	* 4408032306	PER: 57153, 57154, 57155, 57156, 57157 ≤ 02/2018
12	* 4408032310	PER: 57153, 57154, 57155, 57156, 57157 ≥ 01/2019
12	* 4408032307	PER: 57158 ≤ 02/2018
12	* 4408032311	PER: 57158 ≥ 01/2019

CODE **57153, 57154, 57155, 57156, 57157, 57158**

BESCHREIBUNG: **PUMPE EXACTUS MA/AD**



DEUTSCH

POS	CODE	BESCHREIBUNG	MENGE	POS	CODE	BESCHREIBUNG	MENGE
1	* 4408031205	KOPFSTÜCK KOMPLETT		7	* 4408030118	ELEKTROMAGNET KOMPLETT 5 L 7 KG	
1	* 4408030409	KOPFSTÜCK KOMPLETT 20 L 5 KG		7	* 4408031114	ELEKTROMAGNET 5 L 10 KG	
2	* 4408030111	O-RING KOPFSTÜCK		7	* 4408030517	ELEKTROMAGNET 10 L 5 KG	
2	* 4408030413	O-RING KOPFSTÜCK 20 L 5 KG		7	* 4408032309	ELEKTROMAGNET 20 L - 5 KG	
3	* 4408030119	KOMPLETTMEMBERAN		8	4408032305	HALTERUNG UND THERMOSTAT 110°	
3	* 4408030429	KOMPLETTMEMBERAN 20 L 5 KG		9	4408032303	HALTERUNG EXACTUS 2009	
4	* 4408031119	KOLBENSCHLEIBE 2 L 5 KG - 2 L 10 KG - 5 L		10	4408030025	ABDECKUNG HINTEN EXACTUS UND DICH	
4	* 4408030531	KOLBENSCHLEIBE 5 L 7 KG		11	4408031221	VERSORGUNGSKABEL	
4	* 4408031121	KOLBENSCHLEIBE 10 L 5 KG		12	* 4408032306	PLATINE SCHALTKREIS MA/AD. 230/240 V 2	
4	* 4408031122	KOLBENSCHLEIBE 20 L 5 KG		12	* 4408032310	PLATINE MA/AD 2-5-10L 230V FASTON 2019	
5	4408031806	UNTERLEGSCHLEIBE UND STEUERUNG PC		12	* 4408032307	PLATINE SCHALTKREIS MA/AD. 230/140 V 2	
6	4408030029	TOUCHSCREEN MA/AD		12	* 4408032311	PLATINE MA/AD 20L 230V FASTON 2019	
7	* 4408030921	ELEKTROMAGNET 2 L 5 KG		13	57158R0001	GEHÄUSE EXACTUS	

* SIEHE ANMERKUNGSBLATT

CODE **57153, 57154, 57155, 57156, 57157, 57158**BESCHREIBUNG: **PUMPE EXACTUS MA/AD**

7	* 4408031112	ELEKTROMAGNET 2 L 10 KG			
---	--------------	-------------------------	--	--	--

CODE **57153, 57154, 57155, 57156, 57157, 57158**

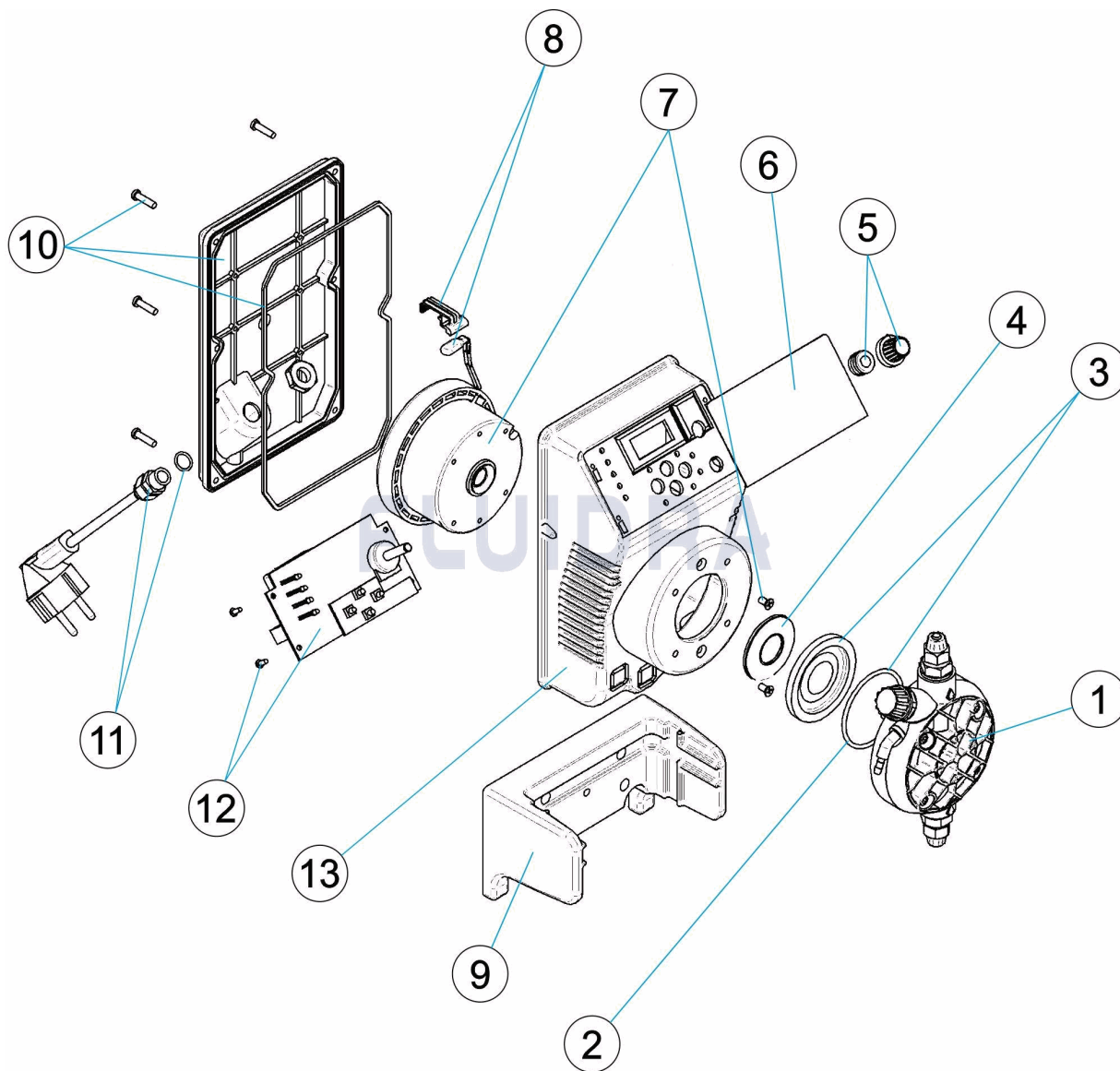
BESCHREIBUNG: **PUMPE EXACTUS MA/AD**

HINWEISE

POS	CODE	HINWEISE
1	* 4408031205	FÜR: 57153, 57154, 57155, 57156, 57157
1	* 4408030409	FÜR: 57158
2	* 4408030111	FÜR: 57153, 57154, 57155, 57156, 57157
2	* 4408030413	FÜR: 57158
3	* 4408030119	FÜR: 57153, 57154, 57155, 57156, 57157
3	* 4408030429	FÜR: 57158
4	* 4408031119	FÜR: 57153, 57154, 57156
4	* 4408030531	FÜR: 57155
4	* 4408031121	FÜR: 57157
4	* 4408031122	FÜR: 57158
7	* 4408030921	FÜR: 57153
7	* 4408031112	FÜR: 57154
7	* 4408030118	FÜR: 57155
7	* 4408031114	FÜR: 57156
7	* 4408030517	FÜR: 57157
7	* 4408032309	FÜR: 57158
12	* 4408032306	FÜR: 57153, 57154, 57155, 57156, 57157 ≤ 02/2018
12	* 4408032310	FÜR: 57153, 57154, 57155, 57156, 57157 ≥ 01/2019
12	* 4408032307	FÜR: 57158 ≤ 02/2018
12	* 4408032311	FÜR: 57158 ≥ 01/2019

CODIGO 57153, 57154, 57155, 57156, 57157, 57158

DESCRIÇÃO: BOMBA EXACTUS MA/AD



PORTUGUES

POS	CODIGO	DESCRIÇÃO	JANTIDADE	POS	CODIGO	DESCRIÇÃO	JANTIDADE
1	* 4408031205	CABEÇAL COMPLETO		7	* 4408030118	ELECTROIMAN COMPLETO 5L 7KG	
1	* 4408030409	CABEÇAL COMPLETO 20L 5KG.		7	* 4408031114	ELECTROIMAN 5L 10KG	
2	* 4408030111	JUNTA TORICA CABEÇAL		7	* 4408030517	ELECTROIMAN 10L 5KG	
2	* 4408030413	JUNTA TORICA CABEÇAL 20L 5KG		7	* 4408032309	ELECTROIMAN 20L 5KG	
3	* 4408030119	MEMBRANA COMPLETA		8	4408032305	SUPORTE MAIS TERMOSTATO DE 110°	
3	* 4408030429	MEMBRANA COMPLETA 20L 5KG		9	4408032303	SUPORTE BOMBA EXACTUS 2009	
4	* 4408031119	ANILHA PISTON 2L 5KG - 2L 10KG - 5L 10K		10	4408030025	TAMPA TRASEIRA BOMBA EXACTUS	
4	* 4408030531	ANILHA PISTON 5L 7KG		11	4408031221	CABO ALIMENTAÇÃO	
4	* 4408031121	ANILHA PISTON 10L 5KG		12	* 4408032306	CIRCUITO ELECTRONICO MA/AD. 2009	
4	* 4408031122	ANILHA PISTON 20L 5KG		12	* 4408032310	CIRCUITO MA/AD 2-5-10L 230V FASTON 201	
5	4408031806	ANILHA E COMANDO POTENCIOMETRO		12	* 4408032307	CIRCUITO ELECTRONICO MA/AD. 20L 5KG :	
6	4408030029	PAINEL DIGITAL TÁCTIL MA/AD		12	* 4408032311	CIRCUITO MA/AD 20L 230V FASTON 2019	
7	* 4408030921	ELECTROIMAN 2 L. 5KG		13	57158R0001	CAIXA BOMBA EXACTUS	

*** VEJA A FICHA DE OBSERVAÇÕES**

CODIGO **57153, 57154, 57155, 57156, 57157, 57158**

DESCRIÇÃO: BOMBA EXACTUS MA/AD

7	* 4408031112	ELECTROIMAN 2L 10KG			
---	--------------	---------------------	--	--	--

CODIGO 57153, 57154, 57155, 57156, 57157, 57158

DESCRIÇÃO: BOMBA EXACTUS MA/AD

OBSERVAÇÕES

POS	CODIGO	OBSERVAÇÕES
1	* 4408031205	PARA: 57153, 57154, 57155, 57156, 57157
1	* 4408030409	PARA: 57158
2	* 4408030111	PARA: 57153, 57154, 57155, 57156, 57157
2	* 4408030413	PARA: 57158
3	* 4408030119	PARA: 57153, 57154, 57155, 57156, 57157
3	* 4408030429	PARA: 57158
4	* 4408031119	PARA: 57153, 57154, 57156
4	* 4408030531	PARA: 57155
4	* 4408031121	PARA: 57157
4	* 4408031122	PARA: 57158
7	* 4408030921	PARA: 57153
7	* 4408031112	PARA: 57154
7	* 4408030118	PARA: 57155
7	* 4408031114	PARA: 57156
7	* 4408030517	PARA: 57157
7	* 4408032309	PARA: 57158
12	* 4408032306	PARA: 57153, 57154, 57155, 57156, 57157 ≤ 02/2018
12	* 4408032310	PARA: 57153, 57154, 57155, 57156, 57157 ≥ 01/2019
12	* 4408032307	PARA: 57158 ≤ 02/2018
12	* 4408032311	PARA: 57158 ≥ 01/2019