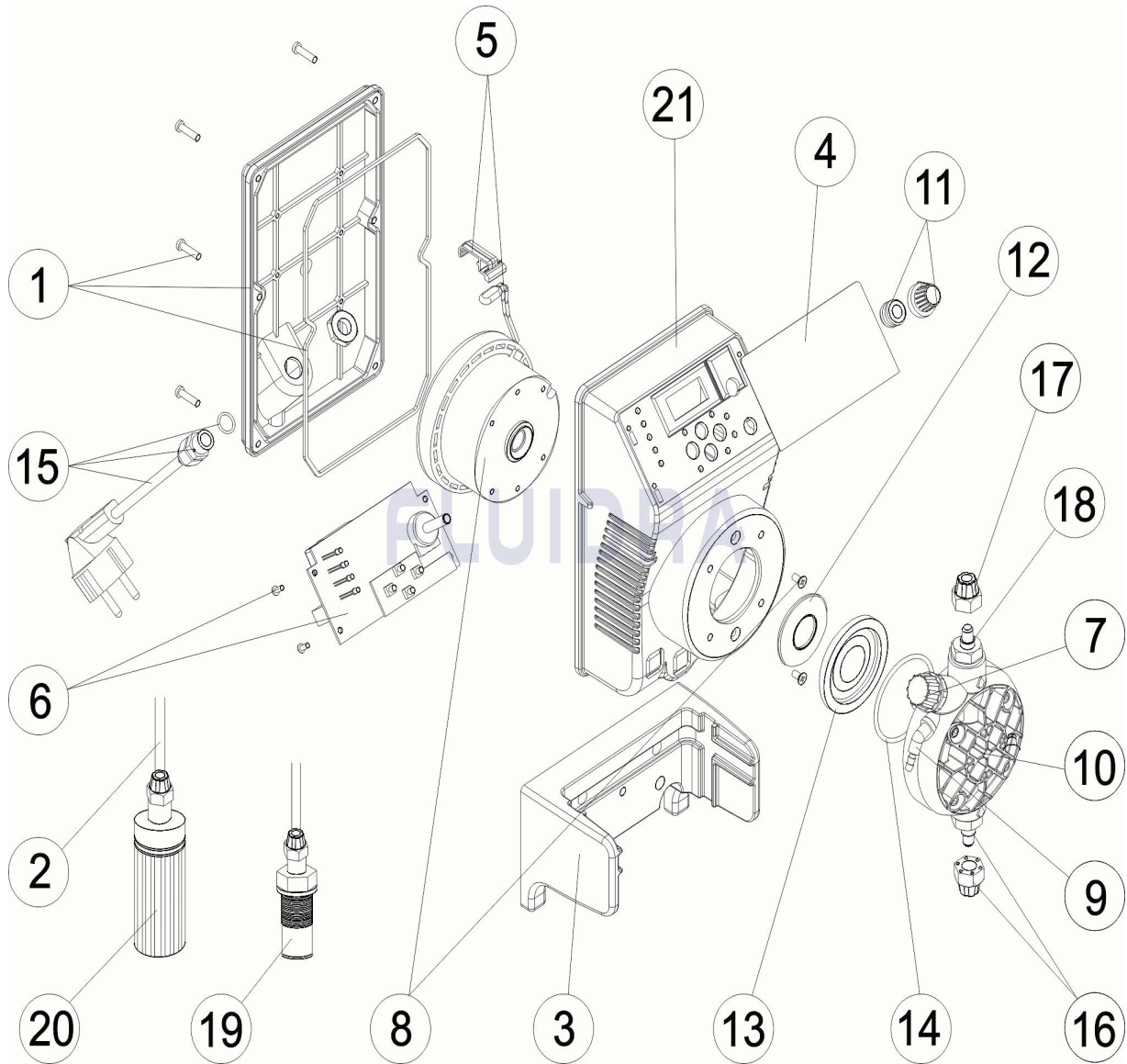


CODIGO 43474, 43475, 43476, 43477, 43478, 43479

DESCRIPCION: BOMBA EXACTUS MANUAL ANALOGICO MA/AD



ESPAÑOL

POS	CODIGO	DESCRIPCION	CANTIDAD	POS	CODIGO	DESCRIPCION	CANTIDAD
1	4408030025	TAPA POSTERIOR EXACTUS CON JUNTA		10	* 4408031205	CABEZAL COMPLETO	
2	4408030122	TUBO ASPIRACION/IMPULSION		10	* 4408030409	CABEZAL COMPLETO 20L. 5KG.	
3	4408032303	SOPORTE EXACTUS 2009		11	4408031806	ARANDELA Y MANDO POTENCIOMETRO	
4	4408032304	PANEL TACTIL MA/AD EXACTUS 2009		12	* 4408031119	ARANDELA PISTON 2L 5KG - 2L 10KG - 5L 7	
5	4408032305	SOPORTE MAS TERMOSTADO 110°		12	* 4408030531	ARANDELA PISTON 5L 7KG	
6	* 4408032306	CIRCUITO ELECTRONICO MA/AD. 230/240V		12	* 4408031121	ARANDELA PISTON 10L 5KG	
6	* 4408032307	CIRCUITO ELECTRONICO MA/AD. 230/140V		12	* 4408031122	ARANDELA PISTON 20L 5KG	
7	4408032308	TAPON PURGA CABEZAL CP STD		13	* 4408030119	MEMBRANA COMPLETA	
8	* 4408030921	ELECTROIMAN 2 L. 5KG		13	* 4408030429	MEMBRANA COMPLETA 20L 5KG	
8	* 4408031112	ELECTROIMAN 2L 10KG		14	* 4408030111	JUNTA TORICA CABEZAL	
8	* 4408030118	ELECTROIMAN COMPLETO 5L 7KG		14	* 4408030413	JUNTA TORICA CABEZAL 20L 5KG	
8	* 4408031114	ELECTROIMAN 5L 10KG		15	4408031221	CABLE ALIMENTACION	
8	* 4408030517	ELECTROIMAN 10L 5KG		16	4408030112	CUERPO RACORD + DUTRAL	

*** NOTA OBSERVACIONES**

CODIGO **43474, 43475, 43476, 43477, 43478, 43479**

DESCRIPCION: **BOMBA EXACTUS MANUAL ANALOGICO MA/AD**

8	* 4408032309	ELECTROIMAN 20L.-5KG.	16	4408030113	CUERPO RACORD + VITON
9	4408031203	RACOR PURGA CABEZAL	16	4408030114	CUERPO RACORD + SILICONA
17	4408030126	TUERCA SUJECCION TUBO	19	4408030121	VALVULA INYECCION COMPLETA
18	4408030115	VALVULA DUTRAL + SOPORTE	20	4408030123	FILTRO ASPIRACION COMPLETO
18	4408030116	VALVULA VITON + SOPORTE	21	57174R0001	CAJA EXACTUS
18	4408030117	VALVULA SILICONA + SOPORTE			

CODIGO 43474, 43475, 43476, 43477, 43478, 43479

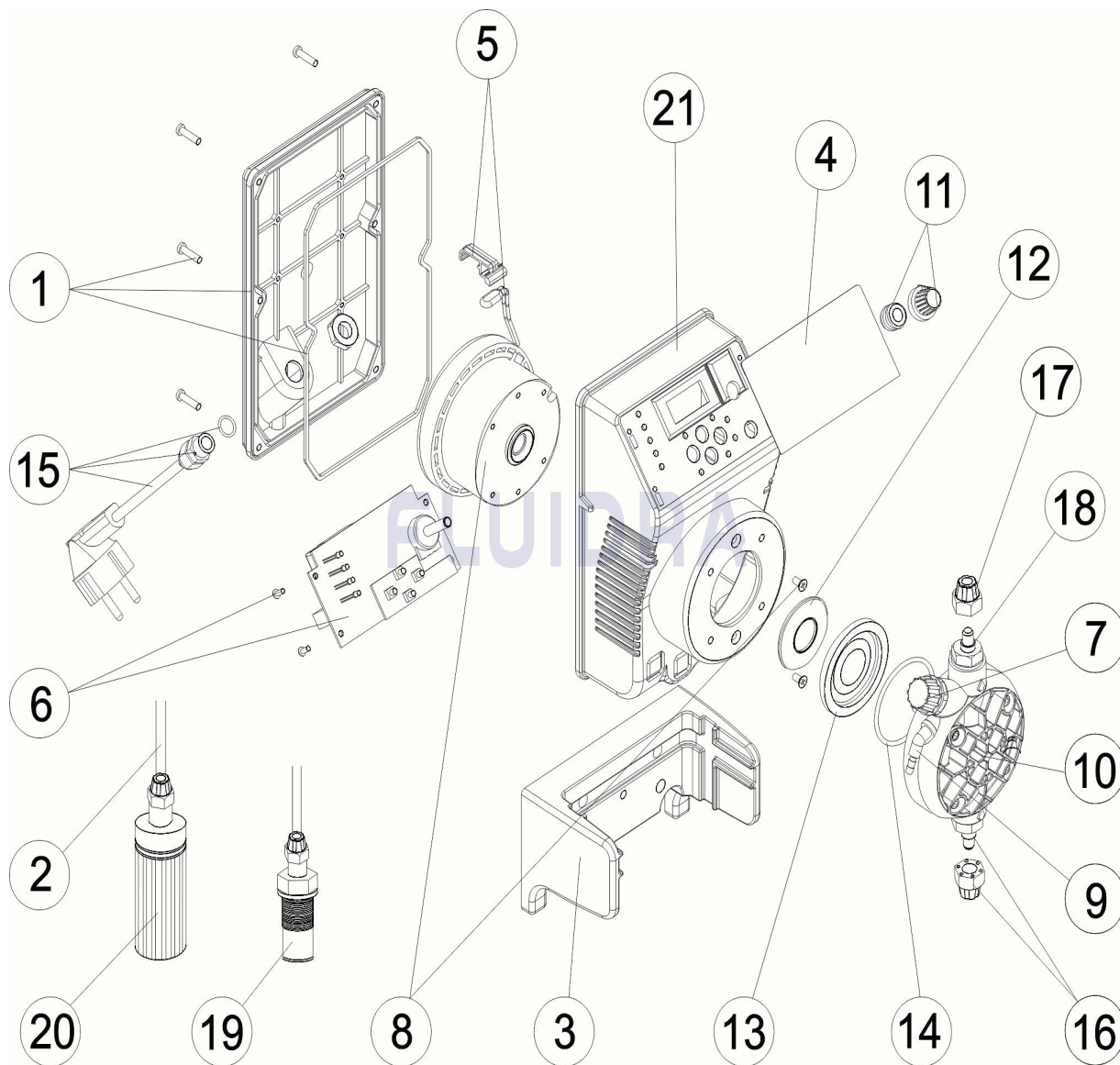
DESCRIPCION: BOMBA EXACTUS MANUAL ANALOGICO MA/AD

OBSERVACIONES

POS	CODIGO	OBSERVACIONES
6	* 4408032306	PARA: 43474, 43475, 43476, 43477, 43478
6	* 4408032307	PARA: 43479
8	* 4408030921	PARA: 43474
8	* 4408031112	PARA: 43475
8	* 4408030118	PARA: 43476
8	* 4408031114	PARA: 43477
8	* 4408030517	PARA: 43478
8	* 4408032309	PARA: 43479
10	* 4408031205	PARA: 43474, 43475, 43476, 43477, 43478
10	* 4408030409	PARA: 43479
12	* 4408031119	PARA: 43474, 43475, 43476
12	* 4408030531	PARA: 43477
12	* 4408031121	PARA: 43478
12	* 4408031122	PARA: 43479
13	* 4408030119	PARA: 43474, 43475, 43476, 43477, 43478
13	* 4408030429	PARA: 43479
14	* 4408030111	PARA: 43474, 43475, 43476, 43477, 43478
14	* 4408030413	PARA: 43479

CODE 43474, 43475, 43476, 43477, 43478, 43479

DESCRIPTION: POMPE EXACTUS MANUELLE ANALOGIQUE MA/AD



FRANCAIS

POS	CODE	DESCRIPTION	QUANTITE	POS	CODE	DESCRIPTION	QUANTITE
1	4408030025	COUVERCLE POMPE EXACTUS		10	* 4408031205	TETE COMPLET	
2	4408030122	TUBE ASPIRATION/IMPULSION		10	* 4408030409	TETE COMPLET 20L. 5KG.	
3	4408032303	SUPPORT DE POMPE EXACTUS 2009		11	4408031806	RONDELLE ET TÉLÉCOMMANDE POTENTIK	
4	4408032304	TABEUAU DE CONTROLE TACTILE MA/AD		12	* 4408031119	RONDELLE PISTON 2L 5KG - 2L 10KG - 5L 1	
5	4408032305	SUPPORT + THERMOSTAT DE 110 °		12	* 4408030531	RONDELLE PISTON 5L 7KG	
6	* 4408032306	CIRCUIT ELECTRONIQUE MA/M. 2009		12	* 4408031121	RONDELLE PISTON 10L 5KG	
6	* 4408032307	CIRCUIT ELECTRONIQUE MA/AD. 20L 5KG		12	* 4408031122	RONDELLE PISTON 20L 5KG	
7	4408032308	BOUCHON PURGE		13	* 4408030119	MEMBRANE COMPLETE	
8	* 4408030921	ELECTROAIMANT 2 L. 5KG		13	* 4408030429	MEMBRANE COMPLETE 20L 5KG	
8	* 4408031112	ELECTROAIMANT 2L 10KG		14	* 4408030111	JOINT TORIQUE TETE	
8	* 4408030118	ELECTROAIMANT COMPLETO 5L 7KG		14	* 4408030413	JOINT TORIQUE TETE 20L 5KG	
8	* 4408031114	ELECTROAIMANT 5L 10KG		15	4408031221	CABLE ALIMENTATION	
8	* 4408030517	ELECTROAIMANT 10L 5KG		16	4408030112	CORPS RACCORD + CLAPET DUTRAL	

CODE **43474, 43475, 43476, 43477, 43478, 43479**

DESCRIPTION: **POMPE EXACTUS MANUELLE ANALOGIQUE MA/AD**

8	* 4408032309	ELECTROAIMANT 20L. 5KG	16	4408030113	CORPS RACCORD + CLAPET VITON
9	4408031203	RACCOR PURGE	16	4408030114	CORPS RACCORD + CLAPET SILICONE
17	4408030126	ECROU DE TUBE D'ASPIRATION	19	4408030121	VANNE INJECTION COMPLETE
18	4408030115	CLAPET DUTRAL + SUPPORT	20	4408030123	FILTRE ASPIRATION COMPLETE
18	4408030116	CLAPET VITON + SUPPORT	21	57174R0001	BOITIER DE POMPE EXACTUS
18	4408030117	CLAPET SILICONA + SUPPORT			

CODE **43474, 43475, 43476, 43477, 43478, 43479**

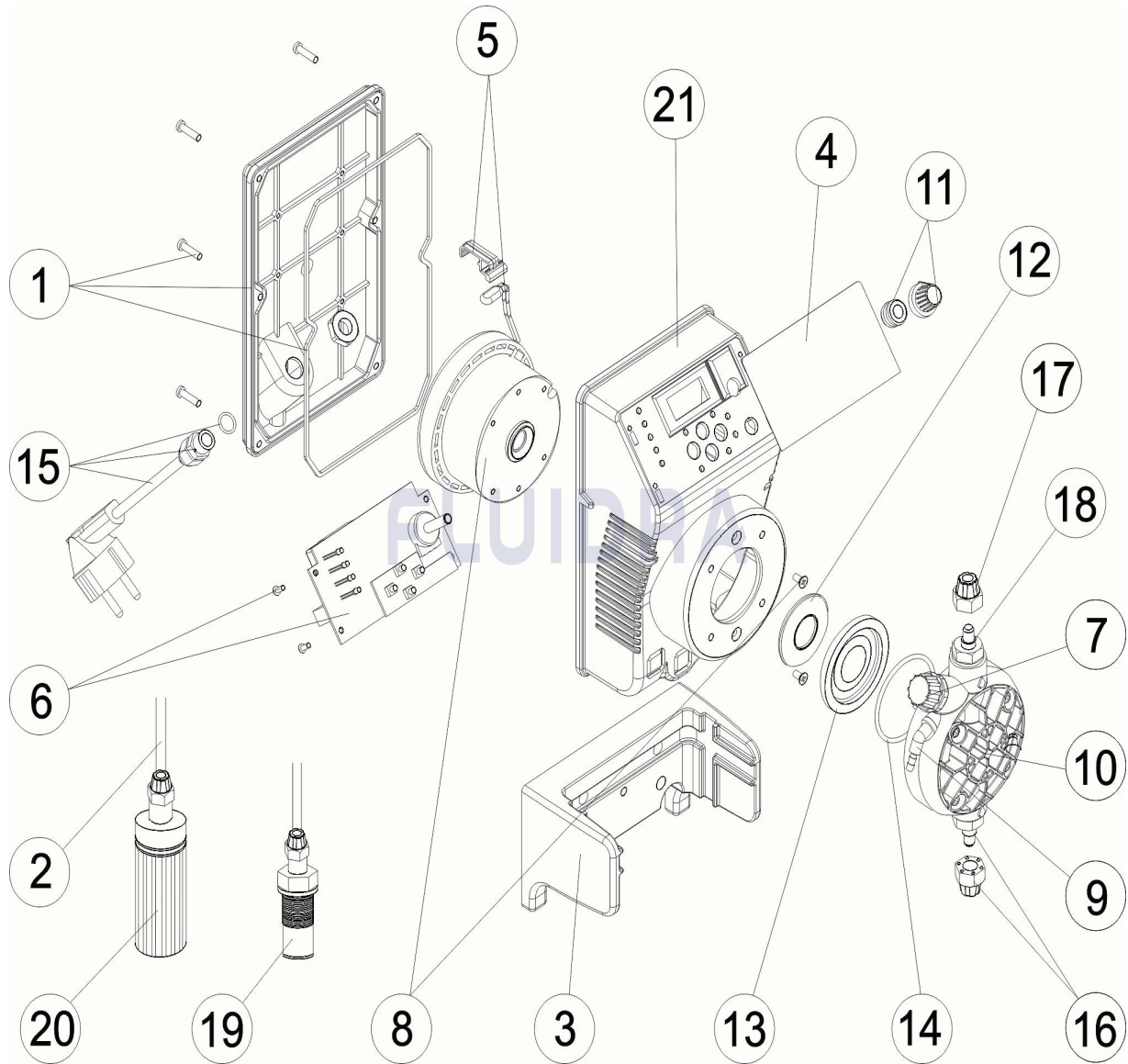
DESCRIPTION: **POMPE EXACTUS MANUELLE ANALOGIQUE MA/AD**

OBSERVATIONS

POS	CODE	OBSERVATIONS
6	* 4408032306	POUR: 43474, 43475, 43476, 43477, 43478
6	* 4408032307	POUR: 43479
8	* 4408030921	POUR: 43474
8	* 4408031112	POUR: 43475
8	* 4408030118	POUR: 43476
8	* 4408031114	POUR: 43477
8	* 4408030517	POUR: 43478
8	* 4408032309	POUR: 43479
10	* 4408031205	POUR: 43474, 43475, 43476, 43477, 43478
10	* 4408030409	POUR: 43479
12	* 4408031119	POUR: 43474, 43475, 43476
12	* 4408030531	POUR: 43477
12	* 4408031121	POUR: 43478
12	* 4408031122	POUR: 43479
13	* 4408030119	POUR: 43474, 43475, 43476, 43477, 43478
13	* 4408030429	POUR: 43479
14	* 4408030111	POUR: 43474, 43475, 43476, 43477, 43478
14	* 4408030413	POUR: 43479

CODE **43474, 43475, 43476, 43477, 43478, 43479**

DESCRIPTION: **EXACTUS MANUAL ANALOGUE PUMP MA / AD**



ENGLISH

POS	CODE	DESCRIPTION	QUANTITY	POS	CODE	DESCRIPTION	QUANTITY
1	4408030025	PUMP REAR COVER		10	* 4408031205	COMPLETE HEAD ASSEMBLY	
2	4408030122	SUCTION/RETURN TUBE		10	* 4408030409	COMPLETE HEAD ASSEMBLY 20L. 5KG.	
3	4408032303	PUMP SUPPORT 2009		11	4408031806	WASHER AND POTENTIOMETER KNOB	
4	4408032304	TOUCH SCREEN PANEL MA/AD 2009		12	* 4408031119	PISTON WASHER 2L 5KG - 2L 10KG - 5L 10K	
5	4408032305	SUPPORT AND THERMOSTAT 110°		12	* 4408030531	PISTON WASHER 5L 7KG	
6	* 4408032306	ELECTRONIC CIRCUIT MA/AD 2009		12	* 4408031121	PISTON WASHER 10L 5KG	
6	* 4408032307	ELECTRONIC CIRCUIT MA/AD .20L 5KG. 20		12	* 4408031122	PISTON WASHER 20L 5KG	
7	4408032308	DRAIN PLUG		13	* 4408030119	DIAPHRAM COMPLETE	
8	* 4408030921	ELECTROMAGNET 2 L. 5KG		13	* 4408030429	DIAPHRAM COMPLETE 20L 5KG	
8	* 4408031112	ELECTROMAGNET 2L 10KG		14	* 4408030111	HEAD O RING	
8	* 4408030118	ELECTROMAGNET ASSEMBLY COMPLETE		14	* 4408030413	HEAD O RING 20L 5KG	
8	* 4408031114	ELECTROMAGNET 5L 10KG		15	4408031221	SUPPLY CABLE	
8	* 4408030517	ELECTROMAGNET 10L 5KG		16	4408030112	HEAD CONNECTOR BODY + DUTRAL	

*** SEE OBSERVATIONS SHEET**

CODE **43474, 43475, 43476, 43477, 43478, 43479**

DESCRIPTION: **EXACTUS MANUAL ANALOGUE PUMP MA / AD**

8	* 4408032309	ELECTROMAGNET 20L.- 5KG	16	4408030113	HEAD CONNECTOR BODY + VITON
9	4408031203	PURGE FITTING	16	4408030114	HEAD CONNECTOR BODY + SILICON
17	4408030126	SUCTION TUBE NUT	19	4408030121	INJECTOR VALVE ASSEMBLY
18	4408030115	DUTRAL VALVE + SUPPORT	20	4408030123	FILTER ASSEMBLY
18	4408030116	VITON VALVE + SUPPORT	21	57174R0001	EXACTUS PUMP BOX
18	4408030117	SILICON VALVE + SUPPORT			

CODE **43474, 43475, 43476, 43477, 43478, 43479**

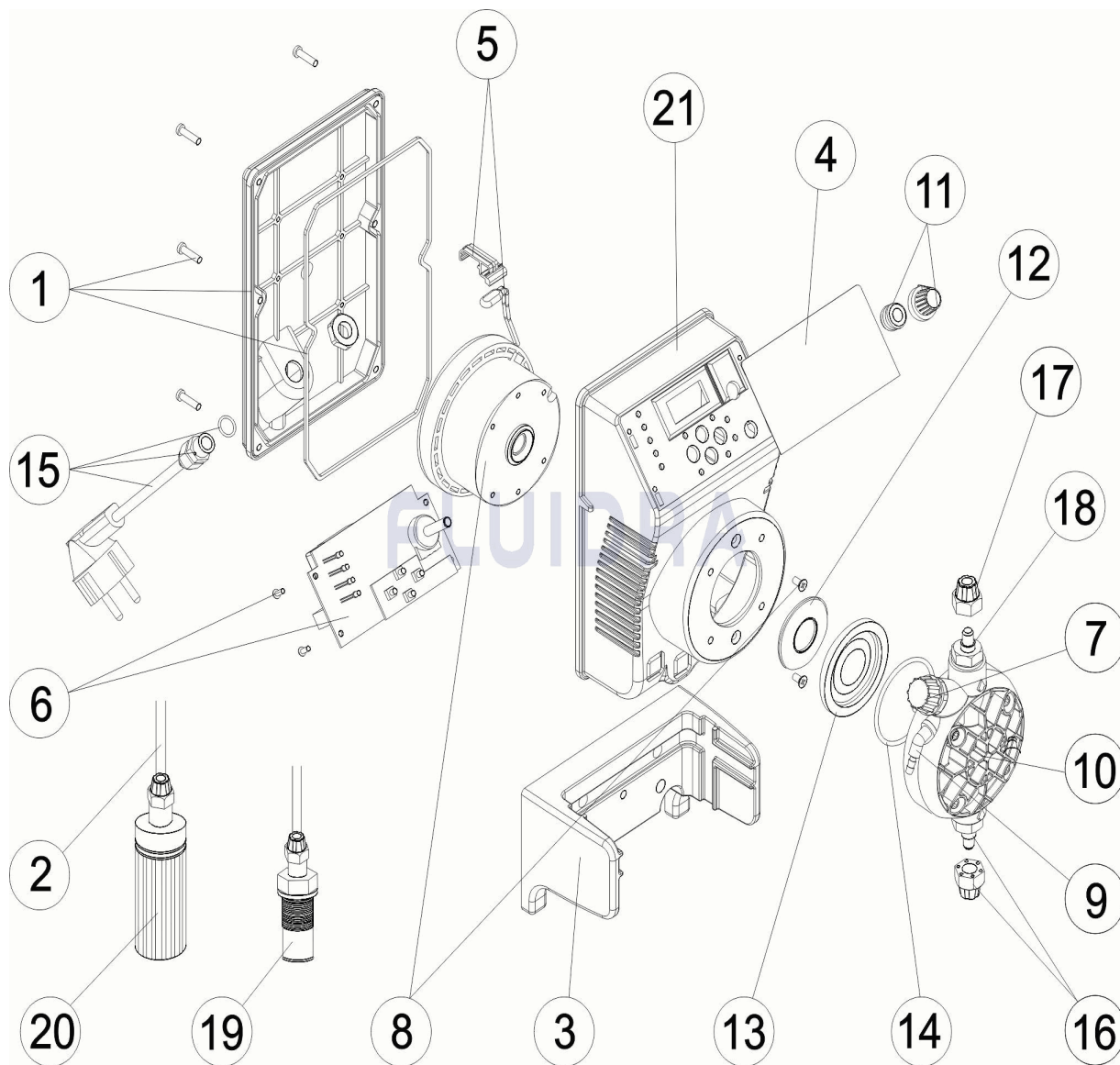
DESCRIPTION: **EXACTUS MANUAL ANALOGUE PUMP MA / AD**

OBSERVATIONS

POS	CODE	OBSERVATIONS
6	* 4408032306	FOR: 43474, 43475, 43476, 43477, 43478
6	* 4408032307	FOR: 43479
8	* 4408030921	FOR: 43474
8	* 4408031112	FOR: 43475
8	* 4408030118	FOR: 43476
8	* 4408031114	FOR: 43477
8	* 4408030517	FOR: 43478
8	* 4408032309	FOR: 43479
10	* 4408031205	FOR: 43474, 43475, 43476, 43477, 43478
10	* 4408030409	FOR: 43479
12	* 4408031119	FOR: 43474, 43475, 43476
12	* 4408030531	FOR: 43477
12	* 4408031121	FOR: 43478
12	* 4408031122	FOR: 43479
13	* 4408030119	FOR: 43474, 43475, 43476, 43477, 43478
13	* 4408030429	FOR: 43479
14	* 4408030111	FOR: 43474, 43475, 43476, 43477, 43478
14	* 4408030413	FOR: 43479

CODICE 43474, 43475, 43476, 43477, 43478, 43479

DESCRIZIONE: POMPA EXACTUS MANUALE ANALOGICA MA/AD



ITALIANO

POS	CODICE	DESCRIZIONE	QUANTITA'	POS	CODICE	DESCRIZIONE	QUANTITA'
1	4408030025	COPRIVENTOLA POMPA EXACTUS		10	* 4408031205	TESTA COMPLETA	
2	4408030122	TUBO DI ASPIRAZIONE/ MANDATA		10	* 4408030409	TESTA COMPLETA 20L. 5KG.	
3	4408032303	SUPPORTO POMPA EXACTUS 2009		11	4408031806	RONDELLA E COMANDO POTENZIOMETRICO	
4	4408032304	PANNELLO DIGITALE MA/AD EXACTUS 200		12	* 4408031119	RONDELLA PISTONE 2L 5KG - 2L 10KG - 5L	
5	4408032305	SUPPORTO + TERMOSTATO 110°		12	* 4408030531	RONDELLA PISTONE 5L 7KG	
6	* 4408032306	CIRCUITO ELETTRONICO MA/AD. 2009		12	* 4408031121	RONDELLA PISTONE 10L 5KG	
6	* 4408032307	CIRCUITO ELETTRONICO MA/AD. 20L 5KG		12	* 4408031122	RONDELLA PISTONE 20L 5KG	
7	4408032308	TAPPO SPURGO		13	* 4408030119	MEMBRANA COMPLETA	
8	* 4408030921	ELETTROCALAMITA 2 L. 5KG		13	* 4408030429	MEMBRANA COMPLETA 20L 5KG	
8	* 4408031112	ELETTROCALAMITA 2L 10KG		14	* 4408030111	O-RING PER TESTA	
8	* 4408030118	ELETTROCALAMITA COMPLETA 5L 7KG		14	* 4408030413	O-RING TESTA 20L 5KG	
8	* 4408031114	ELETTROCALAMITA 5L 10KG		15	4408031221	CAVO DI ALIMENTAZIONE	
8	* 4408030517	ELETTROCALAMITA 10L 5KG		16	4408030112	CORPO RACCORDO + VALVOLA IN DUTRAL	

* SI FACCIAMO RIFERIMENTO AL FOGLIO DELLE OSSERVAZIONI

CODICE **43474, 43475, 43476, 43477, 43478, 43479**

DESCRIZIONE: **POMPA EXACTUS MANUALE ANALOGICA MA/AD**

8	* 4408032309	ELETTROCALAMITA 20L 5KG.	16	4408030113	CORPO RACCORDO + VALVOLA IN VITON
9	4408031203	RACORDO SCARIO	16	4408030114	CORPO RACCORDO + VALVOLA IN SILICON
17	4408030126	GHIERA FISSAGGIO TUBO	19	4408030121	VALVOLA INIEZIONE COMPLETA
18	4408030115	VALVOLA DUTRAL + SUPPORTO	20	4408030123	FILTRO ASPIRAZIONE COMPLETO
18	4408030116	VALVOLA + SUPPORTO	21	57174R0001	CASSA POMPA EXACTUS
18	4408030117	VALVOLA SILICONE + SUPPORTO			

CODICE **43474, 43475, 43476, 43477, 43478, 43479**

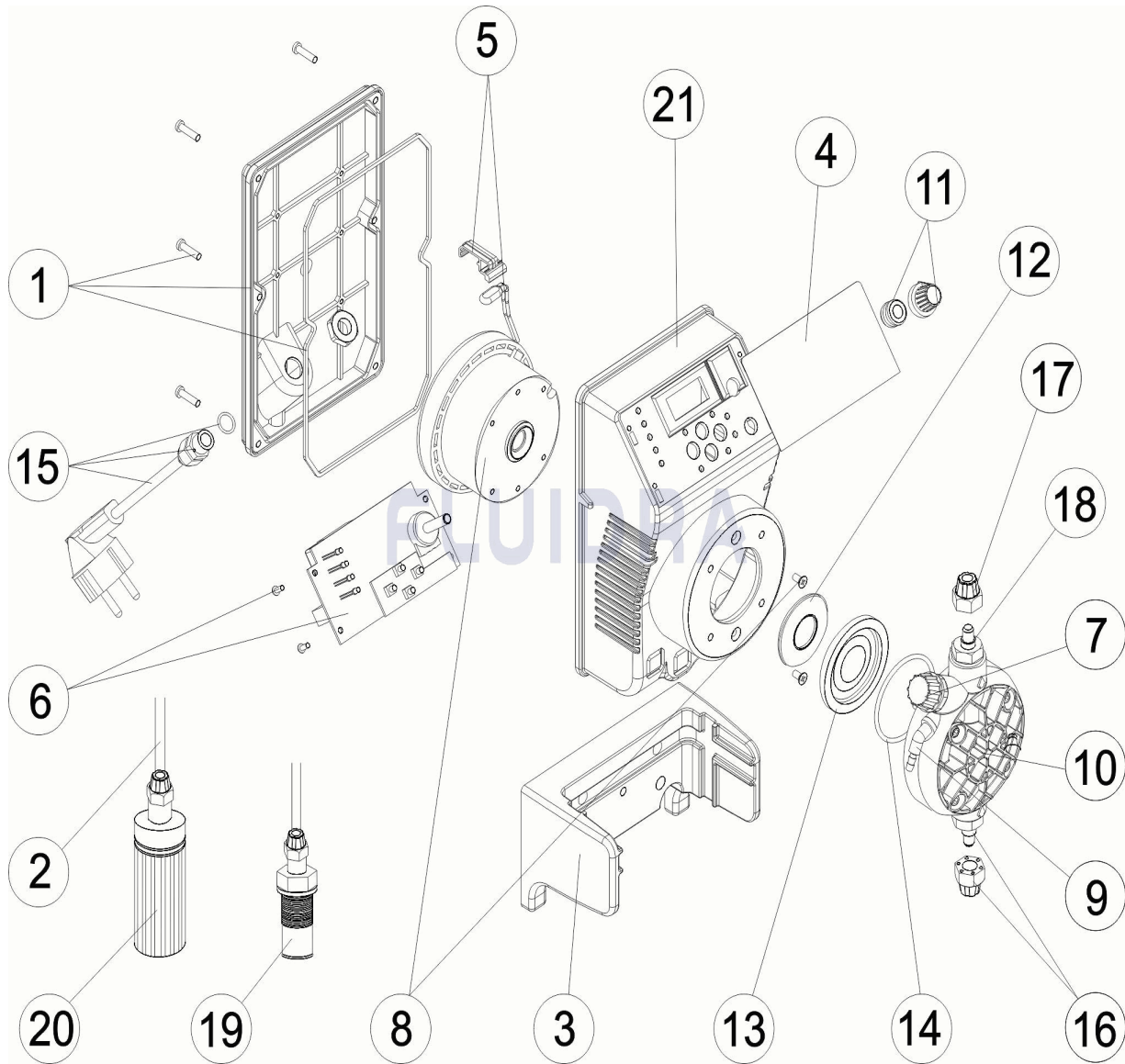
DESCRIZIONE: **POMPA EXACTUS MANUALE ANALOGICA MA/AD**

OSSERVAZIONI

POS	CODICE	OSSERVAZIONI
6	* 4408032306	PER: 43474, 43475, 43476, 43477, 43478
6	* 4408032307	PER: 43479
8	* 4408030921	PER: 43474
8	* 4408031112	PER: 43475
8	* 4408030118	PER: 43476
8	* 4408031114	PER: 43477
8	* 4408030517	PER: 43478
8	* 4408032309	PER: 43479
10	* 4408031205	PER: 43474, 43475, 43476, 43477, 43478
10	* 4408030409	PER: 43479
12	* 4408031119	PER: 43474, 43475, 43476
12	* 4408030531	PER: 43477
12	* 4408031121	PER: 43478
12	* 4408031122	PER: 43479
13	* 4408030119	PER: 43474, 43475, 43476, 43477, 43478
13	* 4408030429	PER: 43479
14	* 4408030111	PER: 43474, 43475, 43476, 43477, 43478
14	* 4408030413	PER: 43479

CODE **43474, 43475, 43476, 43477, 43478, 43479**

BESCHREIBUNG: **PUMPE EXACTUS MANUELL ANALOG MA/AD**



DEUTSCH

POS	CODE	BESCHREIBUNG	MENGE	POS	CODE	BESCHREIBUNG	MENGE
1	4408030025	ABDECKUNG HINTEN EXACTUS UND DICHT		10	* 4408031205	KOPFSTÜCK KOMPLETT	
2	4408030122	ROHR SAUG/DRUCK		10	* 4408030409	KOPFSTÜCK KOMPLETT 20 L 5 KG	
3	4408032303	HALTERUNG EXACTUS 2009		11	4408031806	UNTERLEGSSCHEIBE UND STEUERUNG PO	
4	4408032304	TOUCHSCREEN MA/AD. EXACTUS 2009		12	* 4408031119	KOLBENSCHIBE 2 L 5 KG - 2 L 10 KG - 5 L	
5	4408032305	HALTERUNG UND TERMOSTAT 110°		12	* 4408030531	KOLBENSCHIBE 5 L 7 KG	
6	* 4408032306	PLATINE SCHALTKREIS MA/AD. 230/240 V ;		12	* 4408031121	KOLBENSCHIBE 10 L 5 KG	
6	* 4408032307	PLATINE SCHALTKREIS MA/AD. 230/140 V ;		12	* 4408031122	KOLBENSCHIBE 20 L 5 KG	
7	4408032308	ABLASSSTOPFEN KOPFSTÜCK CP STD		13	* 4408030119	KOMPLETTMEMBERAN	
8	* 4408030921	ELEKTROMAGNET 2 L 5 KG		13	* 4408030429	KOMPLETTMEMBERAN 20 L 5 KG	
8	* 4408031112	ELEKTROMAGNET 2 L 10 KG		14	* 4408030111	O-RING KOPFSTÜCK	
8	* 4408030118	ELEKTROMAGNET KOMPLETT 5 L 7 KG		14	* 4408030413	O-RING KOPFSTÜCK 20 L 5 KG	
8	* 4408031114	ELEKTROMAGNET 5 L 10 KG		15	4408031221	VERSORUNGSKABEL	
8	* 4408030517	ELEKTROMAGNET 10 L 5 KG		16	4408030112	VENTILSATZ MIT DUTRAL	

*** SIEHE ANMERKUNGSBLATT**

CODE **43474, 43475, 43476, 43477, 43478, 43479**

BESCHREIBUNG: **PUMPE EXACTUS MANUELL ANALOG MA/AD**

8	* 4408032309	ELEKTROMAGNET 20 L - 5 KG	16	4408030113	VENTILSATZ MIT VITON
9	4408031203	GEWINDE ABLASS KOPFSTÜCK	16	4408030114	VENTILSATZ MIT SILIKON
17	4408030126	MUTTER BEFESTIGUNG ROHR	19	4408030121	INJEKTORVENTIL KOMPLETT
18	4408030115	VENTIL DUTRAL MIT HALTERUNG	20	4408030123	SAUGFILTER KOMPLETT
18	4408030116	VENTIL VITON MIT HALTERUNG	21	57174R0001	GEHÄUSE EXACTUS
18	4408030117	VENTIL SILIKON MIT HALTERUNG			

CODE **43474, 43475, 43476, 43477, 43478, 43479**

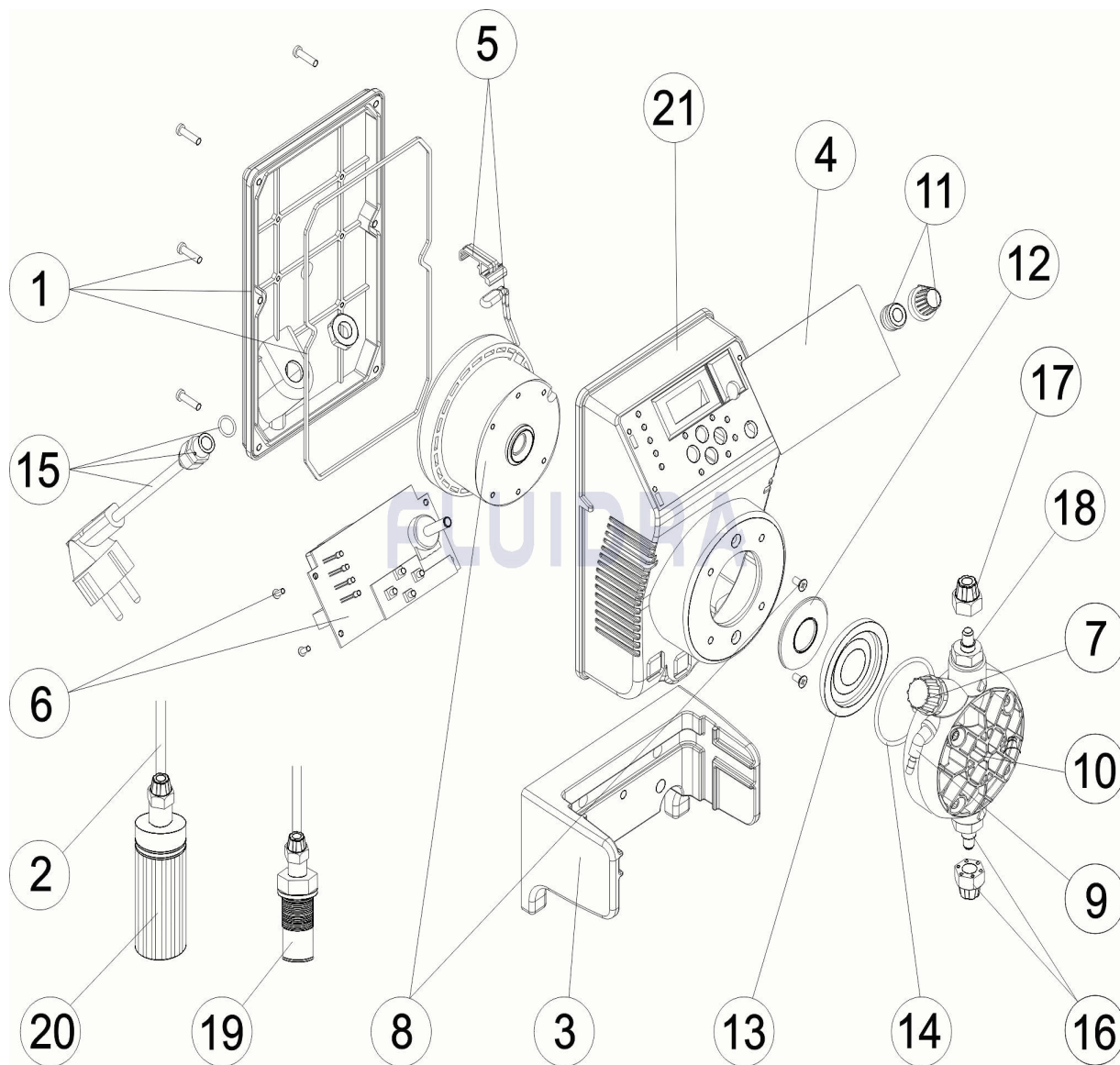
BESCHREIBUNG: **PUMPE EXACTUS MANUELL ANALOG MA/AD**

HINWEISE

POS	CODE	HINWEISE
6	* 4408032306	FÜR: 43474, 43475, 43476, 43477, 43478
6	* 4408032307	FÜR: 43479
8	* 4408030921	FÜR: 43474
8	* 4408031112	FÜR: 43475
8	* 4408030118	FÜR: 43476
8	* 4408031114	FÜR: 43477
8	* 4408030517	FÜR: 43478
8	* 4408032309	FÜR: 43479
10	* 4408031205	FÜR: 43474, 43475, 43476, 43477, 43478
10	* 4408030409	FÜR: 43479
12	* 4408031119	FÜR: 43474, 43475, 43476
12	* 4408030531	FÜR: 43477
12	* 4408031121	FÜR: 43478
12	* 4408031122	FÜR: 43479
13	* 4408030119	FÜR: 43474, 43475, 43476, 43477, 43478
13	* 4408030429	FÜR: 43479
14	* 4408030111	FÜR: 43474, 43475, 43476, 43477, 43478
14	* 4408030413	FÜR: 43479

CODIGO 43474, 43475, 43476, 43477, 43478, 43479

DESCRIÇÃO: BOMBA EXACTUS MANUAL ANALÓGICO MA/AD



PORTUGUES

POS	CODIGO	DESCRIÇÃO	JANTIDADE	POS	CODIGO	DESCRIÇÃO	JANTIDADE
1	4408030025	TAMPA TRASEIRA BOMBA EXACTUS		10	* 4408031205	CABEÇAL COMPLETO	
2	4408030122	TUBO ASPIRAÇÃO/IMPULSÃO		10	* 4408030409	CABEÇAL COMPLETO 20L. 5KG.	
3	4408032303	SUPORTE BOMBA EXACTUS 2009		11	4408031806	ANILHA E COMANDO POTENCIOMETRO	
4	4408032304	PAINEL DIGITAL TÁCTIL MA/AD EXACTUS 2		12	* 4408031119	ANILHA PISTON 2L 5KG - 2L 10KG - 5L 10KG	
5	4408032305	SUPORTE MAIS TERMOSTATO DE 110°		12	* 4408030531	ANILHA PISTON 5L 7KG	
6	* 4408032306	CIRCUITO ELECTRONICO MA/AD. 2009		12	* 4408031121	ANILHA PISTON 10L 5KG	
6	* 4408032307	CIRCUITO ELECTRONICO MA/AD. 20L 5KG		12	* 4408031122	ANILHA PISTON 20L 5KG	
7	4408032308	TAMPÃO PURGA		13	* 4408030119	MEMBRANA COMPLETA	
8	* 4408030921	ELECTROIMAN 2 L. 5KG		13	* 4408030429	MEMBRANA COMPLETA 20L 5KG	
8	* 4408031112	ELECTROIMAN 2L 10KG		14	* 4408030111	JUNTA TORICA CABEÇAL	
8	* 4408030118	ELECTROIMAN COMPLETO 5L 7KG		14	* 4408030413	JUNTA TORICA CABEÇAL 20L 5KG	
8	* 4408031114	ELECTROIMAN 5L 10KG		15	4408031221	CABO ALIMENTAÇÃO	
8	* 4408030517	ELECTROIMAN 10L 5KG		16	4408030112	CORPO RACORD + DUTRAL	

*** VEJA A FICHA DE OBSERVAÇÕES**

CODIGO **43474, 43475, 43476, 43477, 43478, 43479**

DESCRIÇÃO: **BOMBA EXACTUS MANUAL ANALÓGICO MA/AD**

8	* 4408032309	ELECTROIMAN 20L. 5KG	16	4408030113	CORPO RACORD + VITON
9	4408031203	RACCORD PURGA	16	4408030114	CORPO RACORD + SILICONE
17	4408030126	PORCA SUJEIÇÃO TUBO	19	4408030121	INJECTOR COMPLETO
18	4408030115	VÁLVULA DUTRAL + SUPORTE	20	4408030123	FILTRO ASPIRAÇÃO COMPLETO
18	4408030116	VÁLVULA VITON + SUPORTE	21	57174R0001	CAIXA BOMBA EXACTUS
18	4408030117	VÁLVULA SILICONE + SUPORTE			

CODIGO 43474, 43475, 43476, 43477, 43478, 43479

DESCRIÇÃO: BOMBA EXACTUS MANUAL ANALÓGICO MA/AD

OBSERVAÇÕES

POS	CODIGO	OBSERVAÇÕES
6	* 4408032306	PARA: 43474, 43475, 43476, 43477, 43478
6	* 4408032307	PARA: 43479
8	* 4408030921	PARA: 43474
8	* 4408031112	PARA: 43475
8	* 4408030118	PARA: 43476
8	* 4408031114	PARA: 43477
8	* 4408030517	PARA: 43478
8	* 4408032309	PARA: 43479
10	* 4408031205	PARA: 43474, 43475, 43476, 43477, 43478
10	* 4408030409	PARA: 43479
12	* 4408031119	PARA: 43474, 43475, 43476
12	* 4408030531	PARA: 43477
12	* 4408031121	PARA: 43478
12	* 4408031122	PARA: 43479
13	* 4408030119	PARA: 43474, 43475, 43476, 43477, 43478
13	* 4408030429	PARA: 43479
14	* 4408030111	PARA: 43474, 43475, 43476, 43477, 43478
14	* 4408030413	PARA: 43479