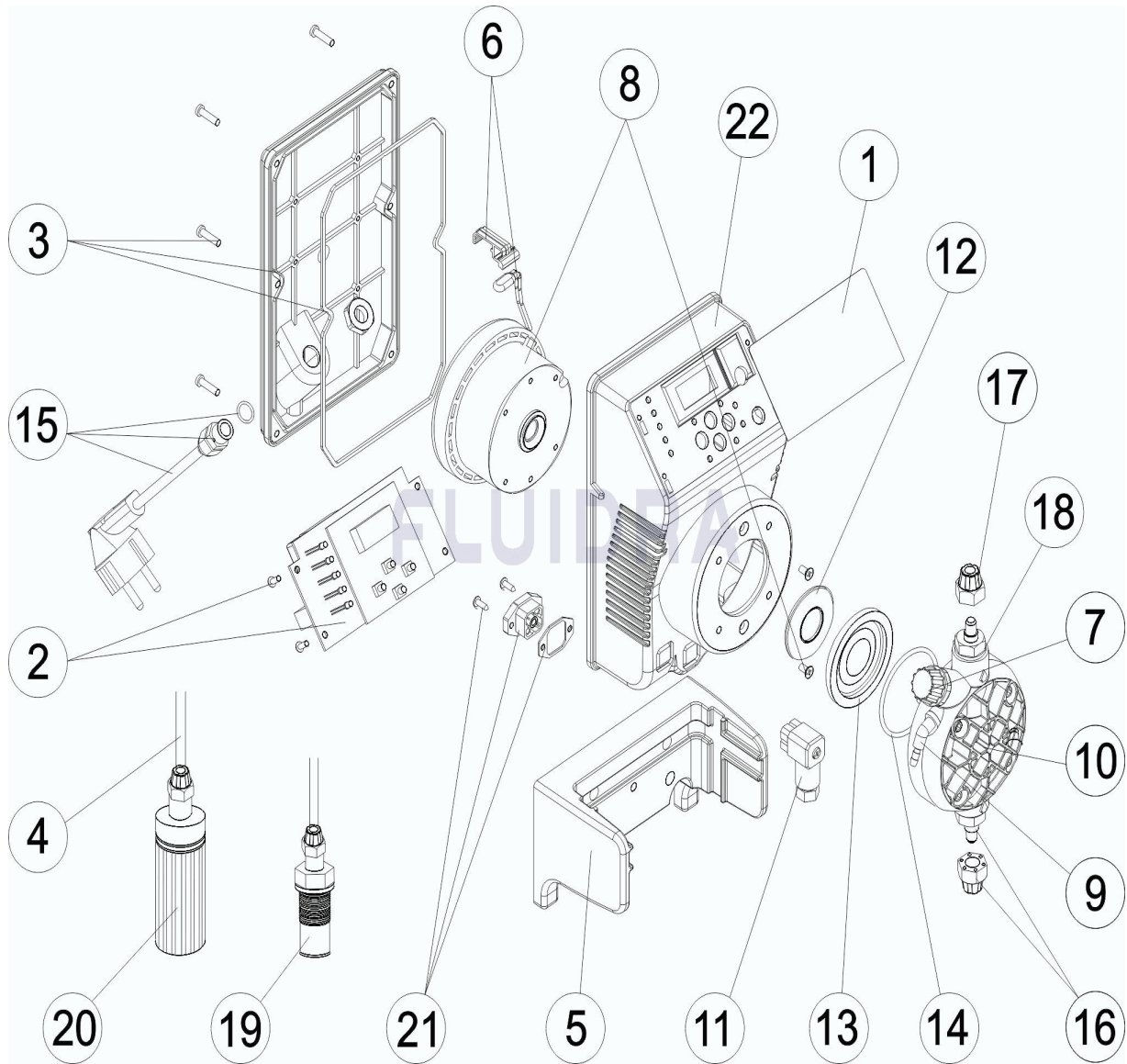


CODIGO 43501, 43502, 43503, 43504

DESCRIPCION: BOMBA EXACTUS VOLUMETRICA VFT/MB 2009



ESPAÑOL

POS	CODIGO	DESCRIPCION	CANTIDAD	POS	CODIGO	DESCRIPCION	CANTIDAD
1	4408032801	PANEL TACTIL VFT/MB EXACTUS 2009		12	* 4408031119	ARANDELA PISTON 2L 5KG - 2L 10KG - 5L 1	
2	4408031208	CIRCUITO ELECTRONICO VFT/MB 230V		12	* 4408030531	ARANDELA PISTON 5L 7KG	
3	4408030025	TAPA POSTERIOR EXACTUS CON JUNTA		12	* 4408031121	ARANDELA PISTON 10L 5KG	
4	4408030122	TUBO ASPIRACION/IMPULSION		12	* 4408031122	ARANDELA PISTON 20L 5KG	
5	4408032303	SOPORTE EXACTUS 2009		13	* 4408030119	MEMBRANA COMPLETA	
6	4408032305	SOPORTE MAS TERMOSTADO 110°		13	* 4408030429	MEMBRANA COMPLETA 20L 5KG	
7	4408032308	TAPON PURGA CABEZAL CP STD		14	* 4408030111	JUNTA TORICA CABEZAL	
8	* 4408030118	ELECTROIMAN COMPLETO 5L 7KG		14	* 4408030413	JUNTA TORICA CABEZAL 20L 5KG	
8	* 4408031114	ELECTROIMAN 5L 10KG		15	4408031221	CABLE ALIMENTACION	
8	* 4408030517	ELECTROIMAN 10L 5KG		16	4408030112	CUERPO RACORD + DUTRAL	
8	* 4408032309	ELECTROIMAN 20L.-5KG.		16	4408030113	CUERPO RACORD + VITON	
9	4408031203	RACOR PURGA CABEZAL		16	4408030114	CUERPO RACORD + SILICONA	
10	* 4408031205	CABEZAL COMPLETO		17	4408030126	TUERCA SUJECCION TUBO	

\* NOTA OBSERVACIONES

**CODIGO 43501, 43502, 43503, 43504**

**DESCRIPCION: BOMBA EXACTUS VOLUMETRICA VFT/MB 2009**

10	* 4408030409	CABEZAL COMPLETO 20L. 5KG.	18	4408030115	VALVULA DUTRAL + SOPORTE
11	4408031729	CONECTOR DE NIVEL	18	4408030116	VALVULA VITON + SOPORTE
18	4408030117	VALVULA SILICONA + SOPORTE	21	4408031405	CONECTOR MACHO
19	4408030121	VALVULA INYECCION COMPLETA	22	57174R0001	CAJA EXACTUS
20	4408030123	FILTRO ASPIRACION COMPLETO			

**CODIGO 43501, 43502, 43503, 43504**

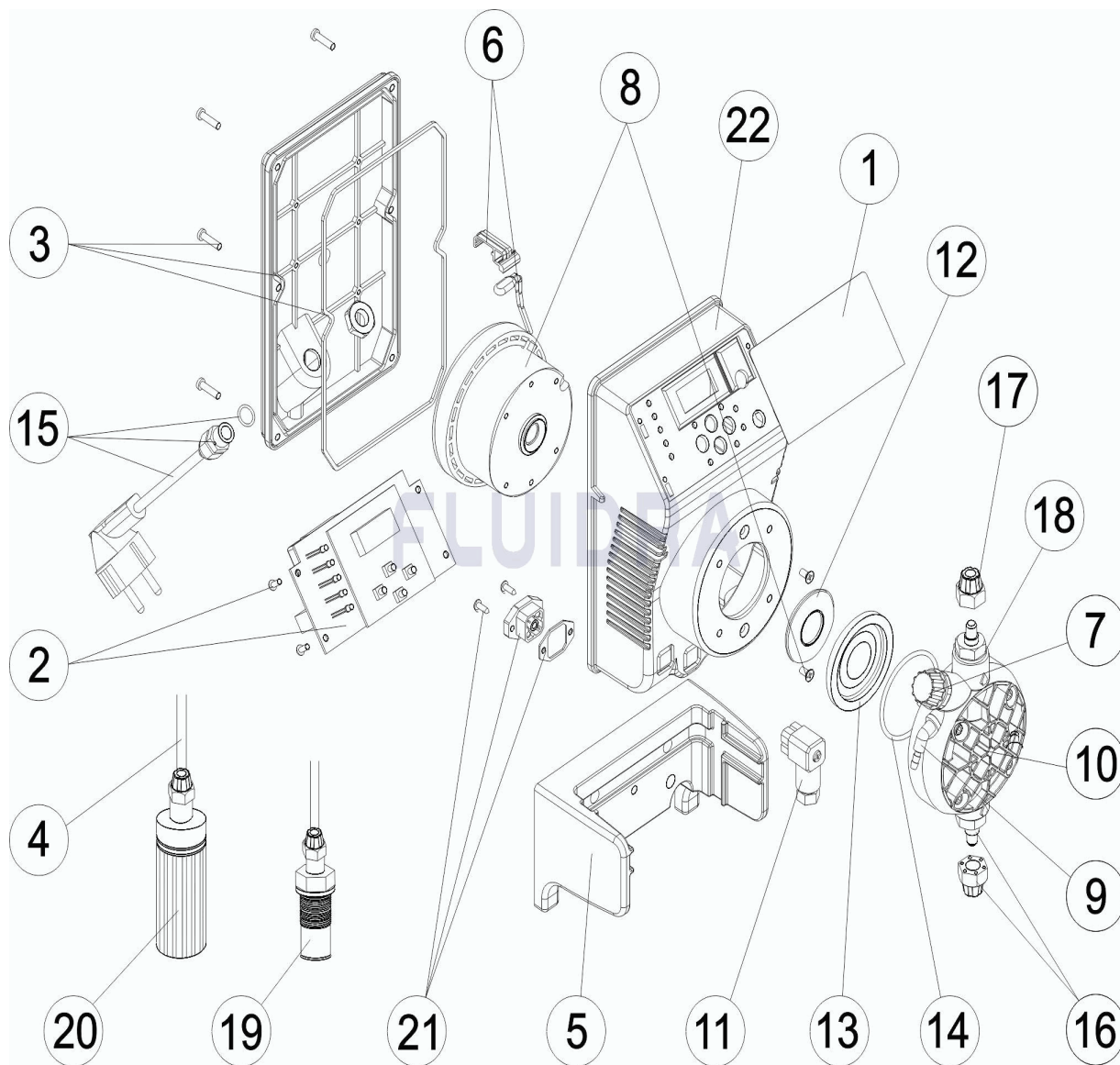
**DESCRIPCION: BOMBA EXACTUS VOLUMETRICA VFT/MB 2009**

## OBSERVACIONES

POS	CODIGO	OBSERVACIONES
8	* 4408030118	PARA: 43501
8	* 4408031114	PARA: 43502
8	* 4408030517	PARA: 43503
8	* 4408032309	PARA: 43504
10	* 4408031205	PARA: 43501, 43502, 43503
10	* 4408030409	PARA: 43504
12	* 4408031119	PARA: 43501
12	* 4408030531	PARA: 43502
12	* 4408031121	PARA: 43503
12	* 4408031122	PARA: 43504
13	* 4408030119	PARA: 43501, 43502, 43503
13	* 4408030429	PARA: 43504
14	* 4408030111	PARA: 43501, 43502, 43503
14	* 4408030413	PARA: 43504

CODE 43501, 43502, 43503, 43504

DESCRIPTION: POMPE EXACTUS VOLUMÉTRIQUE VFT/MB 2009



FRANCAIS

POS	CODE	DESCRIPTION	QUANTITE	POS	CODE	DESCRIPTION	QUANTITE
1	4408032801	TABLEAU DE CONTROLE TACTILE VFT/MB		12	* 4408031119	RONDELLE PISTON 2L 5KG - 2L 10KG - 5L 1	
2	4408031208	CIRCUIT ELECTRONIQUE VFT/MB. 230V.		12	* 4408030531	RONDELLE PISTON 5L 7KG	
3	4408030025	COUVERCLE POMPE EXACTUS		12	* 4408031121	RONDELLE PISTON 10L 5KG	
4	4408030122	TUBE ASPIRATION/IMPULSION		12	* 4408031122	RONDELLE PISTON 20L 5KG	
5	4408032303	SUPPORT DE POMPE EXACTUS 2009		13	* 4408030119	MEMBRANE COMPLETE	
6	4408032305	SUPPORT + THERMOSTAT DE 110 °		13	* 4408030429	MEMBRANE COMPLETE 20L 5KG	
7	4408032308	BOUCHON PURGE		14	* 4408030111	JOINT TORIQUE TETE	
8	* 4408030118	ELECTROAIMANT COMPLETO 5L 7KG		14	* 4408030413	JOINT TORIQUE TETE 20L 5KG	
8	* 4408031114	ELECTROAIMANT 5L 10KG		15	4408031221	CABLE ALIMENTATION	
8	* 4408030517	ELECTROAIMANT 10L 5KG		16	4408030112	CORPS RACCORD + CLAPET DUTRAL	
8	* 4408032309	ELECTROAIMANT 20L. 5KG		16	4408030113	CORPS RACCORD + CLAPET VITON	
9	4408031203	RACCOR PURGE		16	4408030114	CORPS RACCORD + CLAPET SILICONE	
10	* 4408031205	TETE COMPLET		17	4408030126	ECROU DE TUBE D'ASPIRATION	

\* VOIR FICHE D'OBSERVATIONS

CODE **43501, 43502, 43503, 43504**

DESCRIPTION: **POMPE EXACTUS VOLUMÉTRIQUE VFT/MB 2009**

10	* 4408030409	TETE COMPLET 20L. 5KG.	18	4408030115	CLAPET DUTRAL + SUPPORT
11	4408031729	CONECTEUR DE NIVEAU	18	4408030116	CLAPET VITON + SUPPORT
18	4408030117	CLAPET SILICONA + SUPPORT	21	4408031405	CONNECTEUR MÂLE
19	4408030121	VANNE INJECTION COMPLETE	22	57174R0001	BOITIER DE POMPE EXACTUS
20	4408030123	FILTRE ASPIRATION COMPLETE			

CODE **43501, 43502, 43503, 43504**

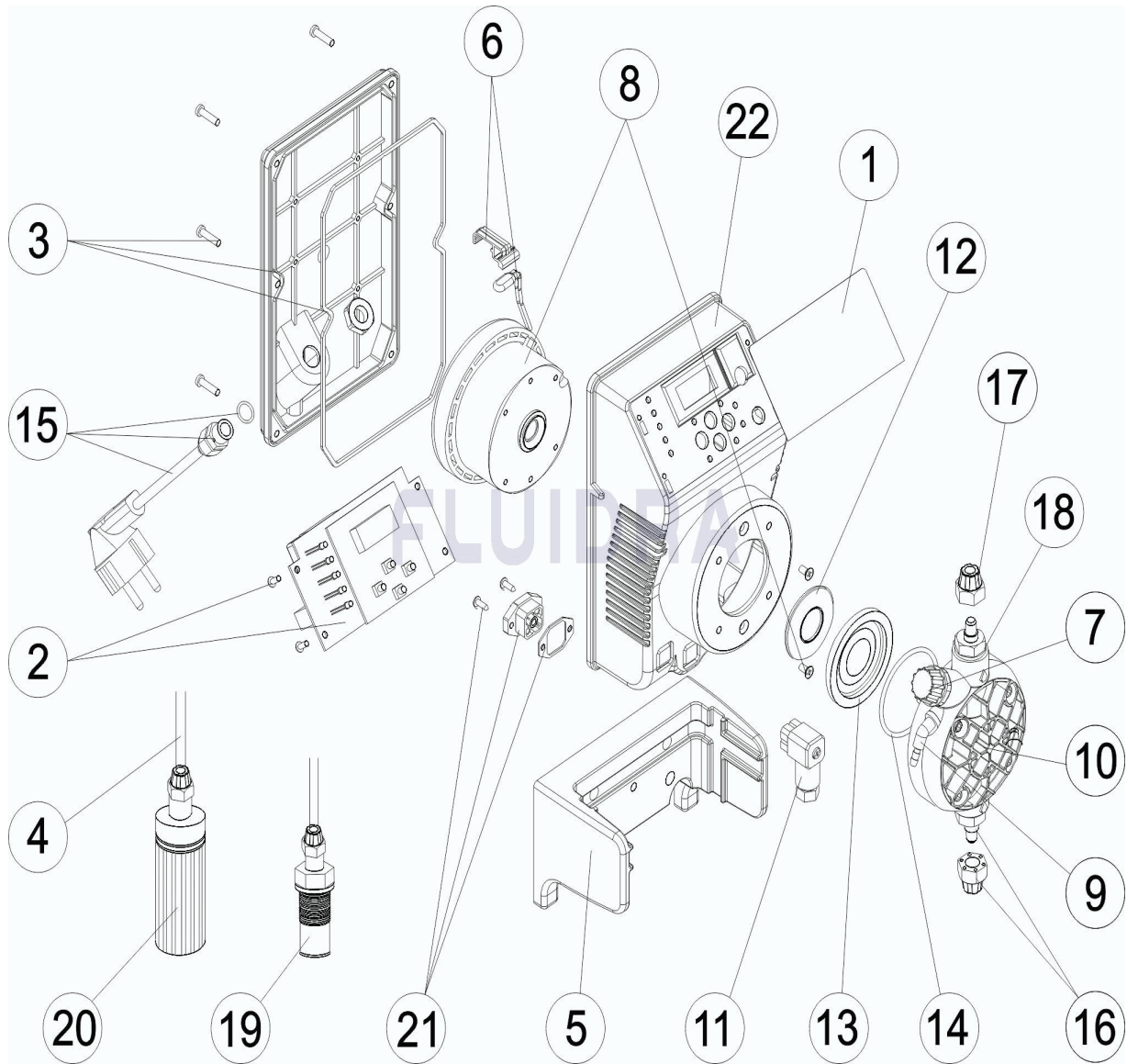
DESCRIPTION: **POMPE EXACTUS VOLUMÉTRIQUE VFT/MB 2009**

## OBSERVATIONS

POS	CODE	OBSERVATIONS
8	* 4408030118	POUR: 43501
8	* 4408031114	POUR: 43502
8	* 4408030517	POUR: 43503
8	* 4408032309	POUR: 43504
10	* 4408031205	POUR: 43501, 43502, 43503
10	* 4408030409	POUR: 43504
12	* 4408031119	POUR: 43501
12	* 4408030531	POUR: 43502
12	* 4408031121	POUR: 43503
12	* 4408031122	POUR: 43504
13	* 4408030119	POUR: 43501, 43502, 43503
13	* 4408030429	POUR: 43504
14	* 4408030111	POUR: 43501, 43502, 43503
14	* 4408030413	POUR: 43504

CODE **43501, 43502, 43503, 43504**

DESCRIPTION: **EXACTUS VOLUMETRIC PUMP VFT/MB 2009**



**ENGLISH**

POS	CODE	DESCRIPTION	QUANTITY	POS	CODE	DESCRIPTION	QUANTITY
1	4408032801	TOUCH SCREEN PANEL VFT/MB 2009		12	* 4408031119	PISTON WASHER 2L 5KG - 2L 10KG - 5L 10K	
2	4408031208	ELECTRONIC CIRCUIT VFT/MB. 230V.		12	* 4408030531	PISTON WASHER 5L 7KG	
3	4408030025	PUMP REAR COVER		12	* 4408031121	PISTON WASHER 10L 5KG	
4	4408030122	SUCTION/RETURN TUBE		12	* 4408031122	PISTON WASHER 20L 5KG	
5	4408032303	PUMP SUPPORT 2009		13	* 4408030119	DIAPHRAM COMPLETE	
6	4408032305	SUPPORT AND THERMOSTAT 110°		13	* 4408030429	DIAPHRAM COMPLETE 20L 5KG	
7	4408032308	DRAIN PLUG		14	* 4408030111	HEAD O RING	
8	* 4408030118	ELECTROMAGNET ASSEMBLY COMPLETE		14	* 4408030413	HEAD O RING 20L 5KG	
8	* 4408031114	ELECTROMAGNET 5L 10KG		15	4408031221	SUPPLY CABLE	
8	* 4408030517	ELECTROMAGNET 10L 5KG		16	4408030112	HEAD CONNECTOR BODY + DUTRAL	
8	* 4408032309	ELECTROMAGNET 20L.- 5KG		16	4408030113	HEAD CONNECTOR BODY + VITON	
9	4408031203	PURGE FITTING		16	4408030114	HEAD CONNECTOR BODY + SILICON	
10	* 4408031205	COMPLETE HEAD ASSEMBLY		17	4408030126	SUCTION TUBE NUT	

\* SEE OBSERVATIONS SHEET

CODE **43501, 43502, 43503, 43504**

DESCRIPTION: **EXACTUS VOLUMETRIC PUMP VFT/MB 2009**

10	* 4408030409	COMPLETE HEAD ASSEMBLY 20L. 5KG.	18	4408030115	DUTRAL VALVE + SUPPORT
11	4408031729	FEMALE CONNECTOR BCN	18	4408030116	VITON VALVE + SUPPORT
18	4408030117	SILICON VALVE + SUPPORT	21	4408031405	MALE CONNECTOR
19	4408030121	INJECTOR VALVE ASSEMBLY	22	57174R0001	EXACTUS PUMP BOX
20	4408030123	FILTER ASSEMBLY			



CODE **43501, 43502, 43503, 43504**

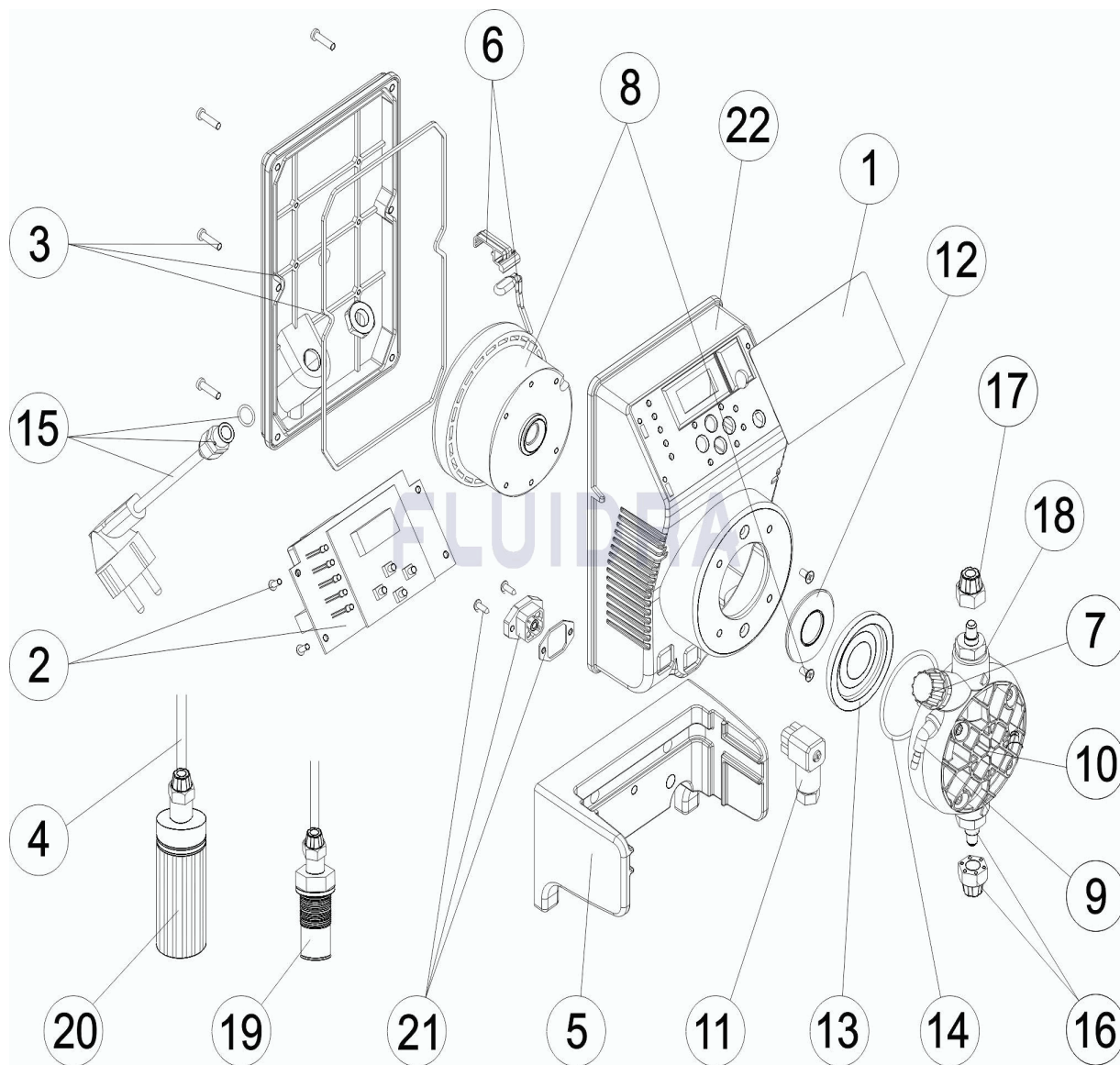
DESCRIPTION: **EXACTUS VOLUMETRIC PUMP VFT/MB 2009**

## OBSERVATIONS

POS	CODE	OBSERVATIONS
8	* 4408030118	FOR: 43501
8	* 4408031114	FOR: 43502
8	* 4408030517	FOR: 43503
8	* 4408032309	FOR: 43504
10	* 4408031205	FOR: 43501, 43502, 43503
10	* 4408030409	FOR: 43504
12	* 4408031119	FOR: 43501
12	* 4408030531	FOR: 43502
12	* 4408031121	FOR: 43503
12	* 4408031122	FOR: 43504
13	* 4408030119	FOR: 43501, 43502, 43503
13	* 4408030429	FOR: 43504
14	* 4408030111	FOR: 43501, 43502, 43503
14	* 4408030413	FOR: 43504

CODICE 43501, 43502, 43503, 43504

DESCRIZIONE: POMPA EXACTUS VOLUMETRICA VFT/MB 2009



ITALIANO

POS	CODICE	DESCRIZIONE	QUANTITA'	POS	CODICE	DESCRIZIONE	QUANTITA'
1	4408032801	PANNELLO DIGITALE VFT/MB 2009		12	* 4408031119	RONDELLA PISTONE 2L 5KG - 2L 10KG - 5L	
2	4408031208	CIRCUITO ELETTRONICO VFT/MB. 230V		12	* 4408030531	RONDELLA PISTONE 5L 7KG	
3	4408030025	COPRIVENTOLA POMPA EXACTUS		12	* 4408031121	RONDELLA PISTONE 10L 5KG	
4	4408030122	TUBO DI ASPIRAZIONE/ MANDATA		12	* 4408031122	RONDELLA PISTONE 20L 5KG	
5	4408032303	SUPPORTO POMPA EXACTUS 2009		13	* 4408030119	MEMBRANA COMPLETA	
6	4408032305	SUPPORTO + TERMOSTATO 110°		13	* 4408030429	MEMBRANA COMPLETA 20L 5KG	
7	4408032308	TAPPO SPURGO		14	* 4408030111	O-RING PER TESTA	
8	* 4408030118	ELETTROCALAMITA COMPLETA 5L 7KG		14	* 4408030413	O-RING TESTA 20L 5KG	
8	* 4408031114	ELETTROCALAMITA 5L 10KG		15	4408031221	CAVO DI ALIMENTAZIONE	
8	* 4408030517	ELETTROCALAMITA 10L 5KG		16	4408030112	CORPO RACCORDO + VALVOLA IN DUTRAL	
8	* 4408032309	ELETTROCALAMITA 20L 5KG.		16	4408030113	CORPO RACCORDO + VALVOLA IN VITON	
9	4408031203	RACORDO SCARIO		16	4408030114	CORPO RACCORDO + VALVOLA IN SILICON	
10	* 4408031205	TESTA COMPLETA		17	4408030126	GHIERA FISSAGGIO TUBO	

\* SI FACCIA RIFERIMENTO AL FOGLIO DELLE OSSERVAZIONI

CODICE **43501, 43502, 43503, 43504**

DESCRIZIONE: **POMPA EXACTUS VOLUMETRICA VFT/MB 2009**

10	* 4408030409	TESTA COMPLETA 20L. 5KG.	18	4408030115	VALVOLA DUTRAL + SUPPORTO
11	4408031729	CONNETTORE DI LIVELLO	18	4408030116	VALVOLA + SUPPORTO
18	4408030117	VALVOLA SILICONE + SUPPORTO	21	4408031405	CONNETTORE MASCHIO
19	4408030121	VALVOLA INIEZIONE COMPLETA	22	57174R0001	CASSA POMPA EXACTUS
20	4408030123	FILTRO ASPIRAZIONE COMPLETO			

CODICE **43501, 43502, 43503, 43504**

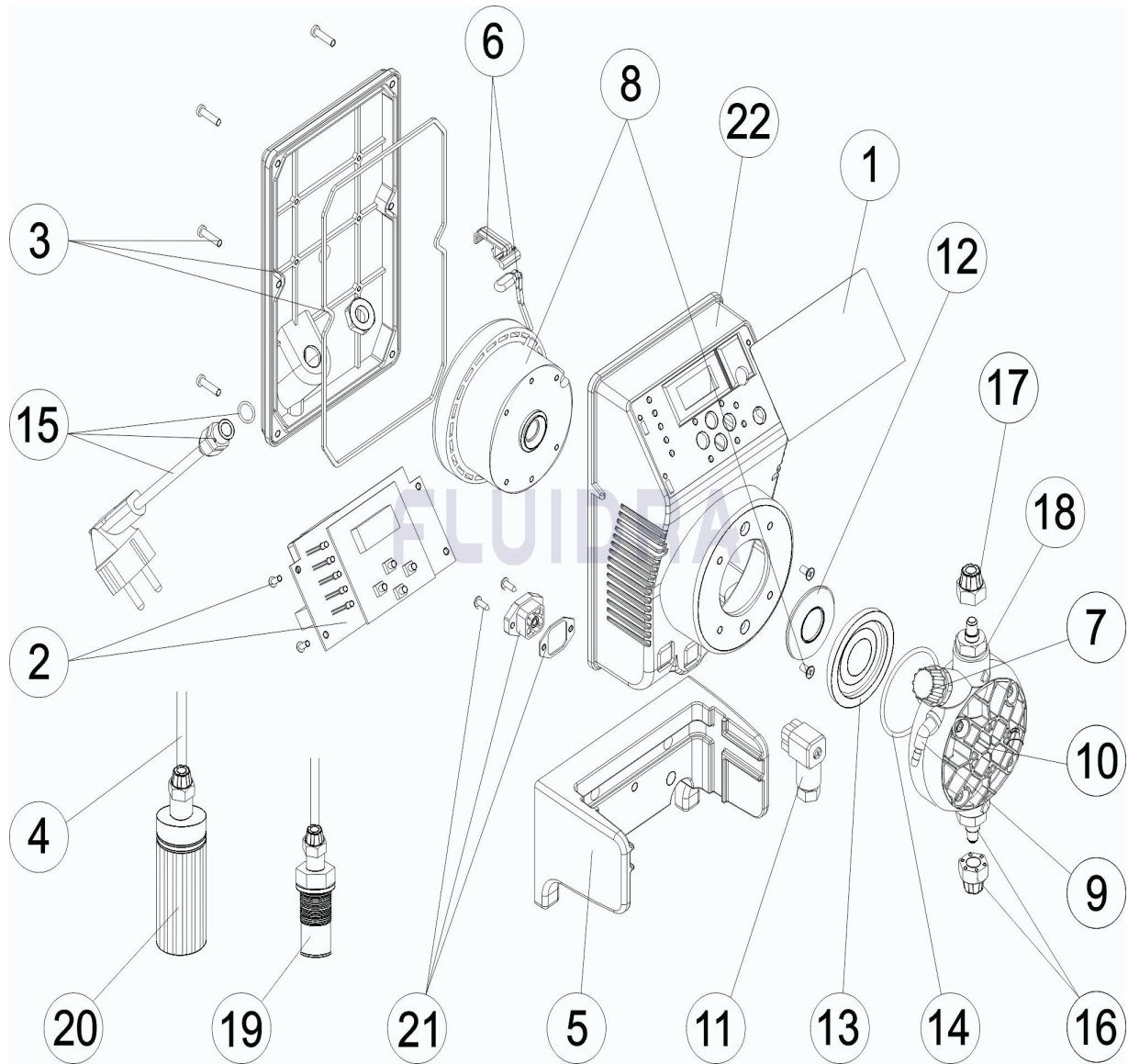
DESCRIZIONE: **POMPA EXACTUS VOLUMETRICA VFT/MB 2009**

## OSSERVAZIONI

POS	CODICE	OSSERVAZIONI
8	* 4408030118	PER: 43501
8	* 4408031114	PER: 43502
8	* 4408030517	PER: 43503
8	* 4408032309	PER: 43504
10	* 4408031205	PER: 43501, 43502, 43503
10	* 4408030409	PER: 43504
12	* 4408031119	PER: 43501
12	* 4408030531	PER: 43502
12	* 4408031121	PER: 43503
12	* 4408031122	PER: 43504
13	* 4408030119	PER: 43501, 43502, 43503
13	* 4408030429	PER: 43504
14	* 4408030111	PER: 43501, 43502, 43503
14	* 4408030413	PER: 43504

CODE 43501, 43502, 43503, 43504

BESCHREIBUNG: PUMPE EXACTUS VOLUMETRISCH VFT/MB 2009



DEUTSCH

POS	CODE	BESCHREIBUNG	MENGE	POS	CODE	BESCHREIBUNG	MENGE
1	4408032801	TOUCHSCREEN VFT/MB EXACTUS 2009		12	* 4408031119	KOLBENSCHEIBE 2 L 5 KG - 2 L 10 KG - 5 L	
2	4408031208	PLATINE SCHALTKREIS VFT/MB 230 V		12	* 4408030531	KOLBENSCHEIBE 5 L 7 KG	
3	4408030025	ABDECKUNG HINTEN EXACTUS UND DICHT		12	* 4408031121	KOLBENSCHEIBE 10 L 5 KG	
4	4408030122	ROHR SAUG/DRUCK		12	* 4408031122	KOLBENSCHEIBE 20 L 5 KG	
5	4408032303	HALTERUNG EXACTUS 2009		13	* 4408030119	KOMPLETTMEMBERAN	
6	4408032305	HALTERUNG UND TERMOSTAT 110°		13	* 4408030429	KOMPLETTMEMBERAN 20 L 5 KG	
7	4408032308	ABLASSTOPFEN KOPFSTÜCK CP STD		14	* 4408030111	O-RING KOPFSTÜCK	
8	* 4408030118	ELEKTROMAGNET KOMPLETT 5 L 7 KG		14	* 4408030413	O-RING KOPFSTÜCK 20 L 5 KG	
8	* 4408031114	ELEKTROMAGNET 5 L 10 KG		15	4408031221	VERSORUNGSKABEL	
8	* 4408030517	ELEKTROMAGNET 10 L 5 KG		16	4408030112	VENTILSATZ MIT DUTRAL	
8	* 4408032309	ELEKTROMAGNET 20 L - 5 KG		16	4408030113	VENTILSATZ MIT VITON	
9	4408031203	GEWINDE ABLASS KOPFSTÜCK		16	4408030114	VENTILSATZ MIT SILIKON	
10	* 4408031205	KOPFSTÜCK KOMPLETT		17	4408030126	MUTTER BEFESTIGUNG ROHR	

\* SIEHE ANMERKUNGSBLATT

CODE **43501, 43502, 43503, 43504**

BESCHREIBUNG: **PUMPE EXACTUS VOLUMETRISCH VFT/MB 2009**

10	* 4408030409	KOPFSTÜCK KOMPLETT 20 L 5 KG	18	4408030115	VENTIL DUTRAL MIT HALTERUNG
11	4408031729	VERBINDUNGSSTÜCK FÜLLSTAND	18	4408030116	VENTIL VITON MIT HALTERUNG
18	4408030117	VENTIL SILIKON MIT HALTERUNG	21	4408031405	STECKER
19	4408030121	INJEKTORVENTIL KOMPLETT	22	57174R0001	GEHÄUSE EXACTUS
20	4408030123	SAUGFILTER KOMPLETT			

CODE **43501, 43502, 43503, 43504**

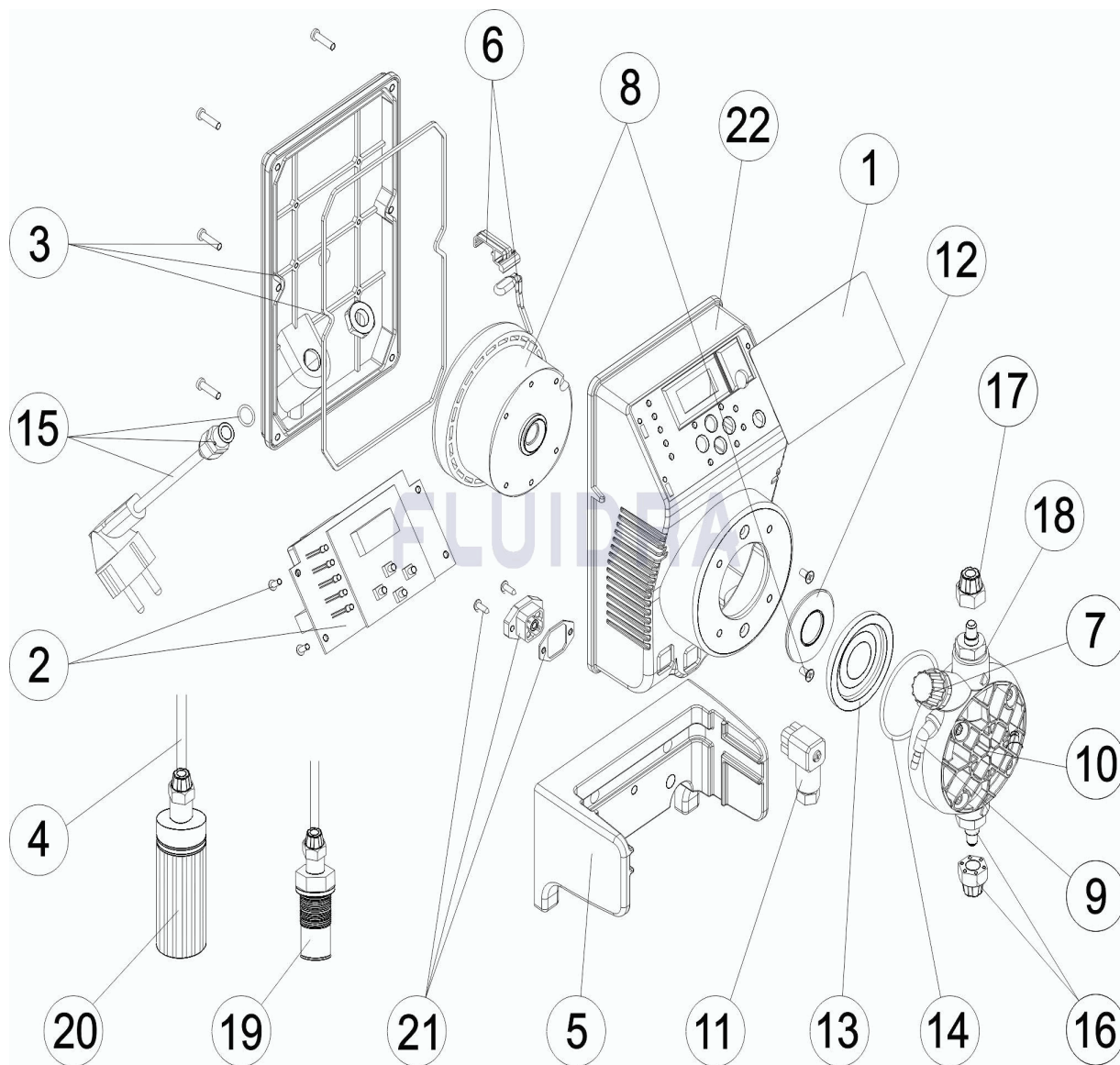
BESCHREIBUNG: **PUMPE EXACTUS VOLUMETRISCH VFT/MB 2009**

## HINWEISE

POS	CODE	HINWEISE
8	* 4408030118	FÜR: 43501
8	* 4408031114	FÜR: 43502
8	* 4408030517	FÜR: 43503
8	* 4408032309	FÜR: 43504
10	* 4408031205	FÜR: 43501, 43502, 43503
10	* 4408030409	FÜR: 43504
12	* 4408031119	FÜR: 43501
12	* 4408030531	FÜR: 43502
12	* 4408031121	FÜR: 43503
12	* 4408031122	FÜR: 43504
13	* 4408030119	FÜR: 43501, 43502, 43503
13	* 4408030429	FÜR: 43504
14	* 4408030111	FÜR: 43501, 43502, 43503
14	* 4408030413	FÜR: 43504

CODIGO **43501, 43502, 43503, 43504**

DESCRIÇÃO: **BOMBA EXACTUS VOLUMÉTRICA VFT/MB 2009**



**PORTUGUES**

POS	CODIGO	DESCRIÇÃO	JANTIDADE	POS	CODIGO	DESCRIÇÃO	JANTIDADE
1	4408032801	PAINEL DIGITAL TÁCTIL VFT/MB 2009		12	* 4408031119	ANILHA PISTON 2L 5KG - 2L 10KG - 5L 10KG	
2	4408031208	CIRCUITO ELECTRONICO VFT/MB. 230V.		12	* 4408030531	ANILHA PISTON 5L 7KG	
3	4408030025	TAMPA TRASEIRA BOMBA EXACTUS		12	* 4408031121	ANILHA PISTON 10L 5KG	
4	4408030122	TUBO ASPIRAÇÃO/IMPULSÃO		12	* 4408031122	ANILHA PISTON 20L 5KG	
5	4408032303	SUPORTE BOMBA EXACTUS 2009		13	* 4408030119	MEMBRANA COMPLETA	
6	4408032305	SUPORTE MAIS TERMOSTATO DE 110°		13	* 4408030429	MEMBRANA COMPLETA 20L 5KG	
7	4408032308	TAMPÃO PURGA		14	* 4408030111	JUNTA TORICA CABEÇAL	
8	* 4408030118	ELECTROIMAN COMPLETO 5L 7KG		14	* 4408030413	JUNTA TORICA CABEÇAL 20L 5KG	
8	* 4408031114	ELECTROIMAN 5L 10KG		15	4408031221	CABO ALIMENTAÇÃO	
8	* 4408030517	ELECTROIMAN 10L 5KG		16	4408030112	CORPO RACORD + DUTRAL	
8	* 4408032309	ELECTROIMAN 20L. 5KG		16	4408030113	CORPO RACORD + VITON	
9	4408031203	RACCORD PURGA		16	4408030114	CORPO RACORD + SILICONE	
10	* 4408031205	CABEÇAL COMPLETO		17	4408030126	PORCA SUJEIÇÃO TUBO	

**\* VEJA A FICHA DE OBSERVAÇÕES**



CODIGO **43501, 43502, 43503, 43504**

DESCRIÇÃO: **BOMBA EXACTUS VOLUMÉTRICA VFT/MB 2009**

10	* 4408030409	CABEÇAL COMPLETO 20L. 5KG.	18	4408030115	VÁLVULA DUTRAL + SUPORTE
11	4408031729	LIGAÇÃO NIVEL	18	4408030116	VÁLVULA VITON + SUPORTE
18	4408030117	VÁLVULA SILICONE + SUPORTE	21	4408031405	LIGAÇÃO MACHO
19	4408030121	INJECTOR COMPLETO	22	57174R0001	CAIXA BOMBA EXACTUS
20	4408030123	FILTRO ASPIRAÇÃO COMPLETO			

**CODIGO**                    **43501, 43502, 43503, 43504**

**DESCRIÇÃO: BOMBA EXACTUS VOLUMÉTRICA VFT/MB 2009**

## OBSERVAÇÕES

POS	CODIGO	OBSERVAÇÕES
8	* 4408030118	PARA: 43501
8	* 4408031114	PARA: 43502
8	* 4408030517	PARA: 43503
8	* 4408032309	PARA: 43504
10	* 4408031205	PARA: 43501, 43502, 43503
10	* 4408030409	PARA: 43504
12	* 4408031119	PARA: 43501
12	* 4408030531	PARA: 43502
12	* 4408031121	PARA: 43503
12	* 4408031122	PARA: 43504
13	* 4408030119	PARA: 43501, 43502, 43503
13	* 4408030429	PARA: 43504
14	* 4408030111	PARA: 43501, 43502, 43503
14	* 4408030413	PARA: 43504