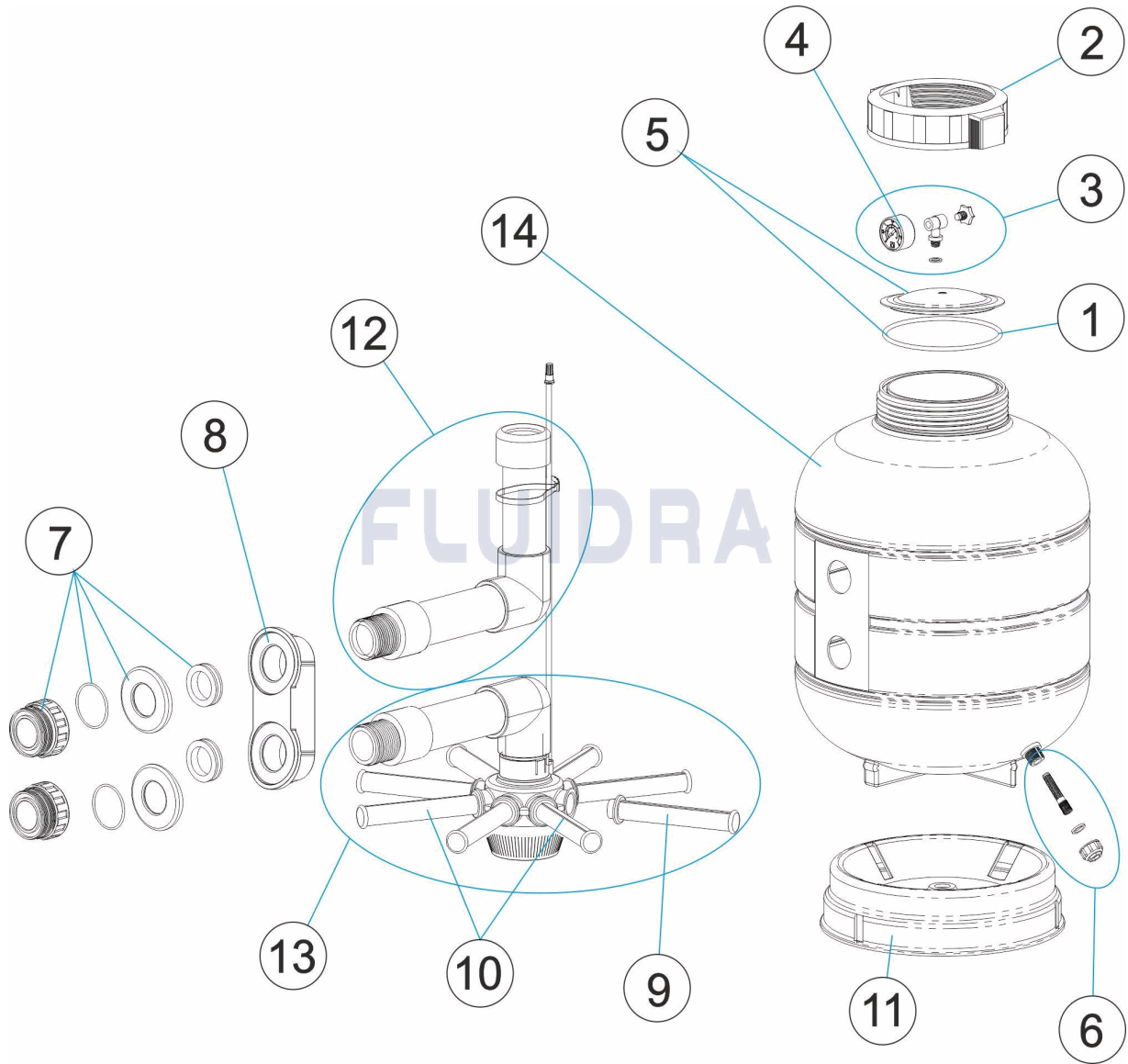


CODIGO **25296, 25297, 25298, 27809, 28252**

DESCRIPCION: **FILTRO ARENA MILLENIUM SALIDA LATERAL D. 380-430-480-560-660**



ESPAÑOL

| POS | CODIGO | DESCRIPCION | CANTIDAD | POS | CODIGO | DESCRIPCION | CANTIDAD |
|-----|--------------|------------------------------------|----------|-----|-----------------|-----------------------|----------|
| 1 | 4405010527 | JUNTAS GOMA DE 3 HP A 5,5 HP | | 11 | * 4404300108 | PIE FILTRO D.480/560 | |
| 2 | 4404180102 | TUERCA TAPA | | 12 | * 4404010257 | CJTO. DIFUSOR D. 380 | |
| 3 | 4404220101 | MANOMETRO COMPLETO | | 12 | * 4404010258 | CJTO. DIFUSOR D. 430 | |
| 4 | 4404220102 | MANOMETRO 1/8" 3 KG/C " | | 12 | * 4404010259 | CJTO. DIFUSOR D. 480 | |
| 5 | 4404180105 | TAPA TRANSPARENTE (PC) + JUNTA | | 12 | * 4404010260 | CJTO. DIFUSOR D. 560 | |
| 6 | 4404220103 | PURGA ARENA | | 12 | * 4404300122 | CJTO. DIFUSOR D. 660 | |
| 7 | 4404220104 | RACORD SALIDA + REFUERZO | | 13 | * 4404300115 | CJTO. COLECTOR D. 380 | |
| 8 | 4404220105 | REFUERZO INTERIOR | | 13 | * 4404010261 | CJTO. COLECTOR D. 430 | |
| 9 | * 4404300119 | BRAZO COLECTOR ¼" 110 M " | | 13 | * 4404010262 | CJTO. COLECTOR D. 480 | |
| 9 | * 4404300120 | BRAZO COLECTOR ¼" 160 M " | | 13 | * 4404010263 | CJTO. COLECTOR D. 560 | |
| 9 | * 4404300712 | BRAZO COLECTOR ¼" 225M " | | 13 | * 4404010092 | CJTO. COLECTOR D. 660 | |
| 10 | * 4404010073 | CJTO. BRAZOS COLECTOR D. 350 - 400 | | 14 | * 28295R0100-LR | CUERPO FILTRO D. 380 | |
| 10 | * 4404010074 | CJTO. BRAZOS COLECTOR D. 450 - 500 | | 14 | * 28296R0100-LR | CUERPO FILTRO D. 430 | |

*** NOTA OBSERVACIONES**

CODIGO 25296, 25297, 25298, 27809, 28252

DESCRIPCION: FILTRO ARENA MILLENIUM SALIDA LATERAL D. 380-430-480-560-660

| | | | | | |
|----|-----------------|------------------------------|----|-----------------|----------------------|
| 10 | * 4404010075 | CJTO. BRAZOS COLECTOR D. 600 | 14 | * 28297R0100-LR | CUERPO FILTRO D. 480 |
| 11 | * 4404300107 | PIE FILTRO D.380/430 | 14 | * 28298R0100-LR | CUERPO FILTRO D. 560 |
| 14 | * 28299R0100-LR | CUERPO FILTRO D. 660 | | | |

CODIGO 25296, 25297, 25298, 27809, 28252

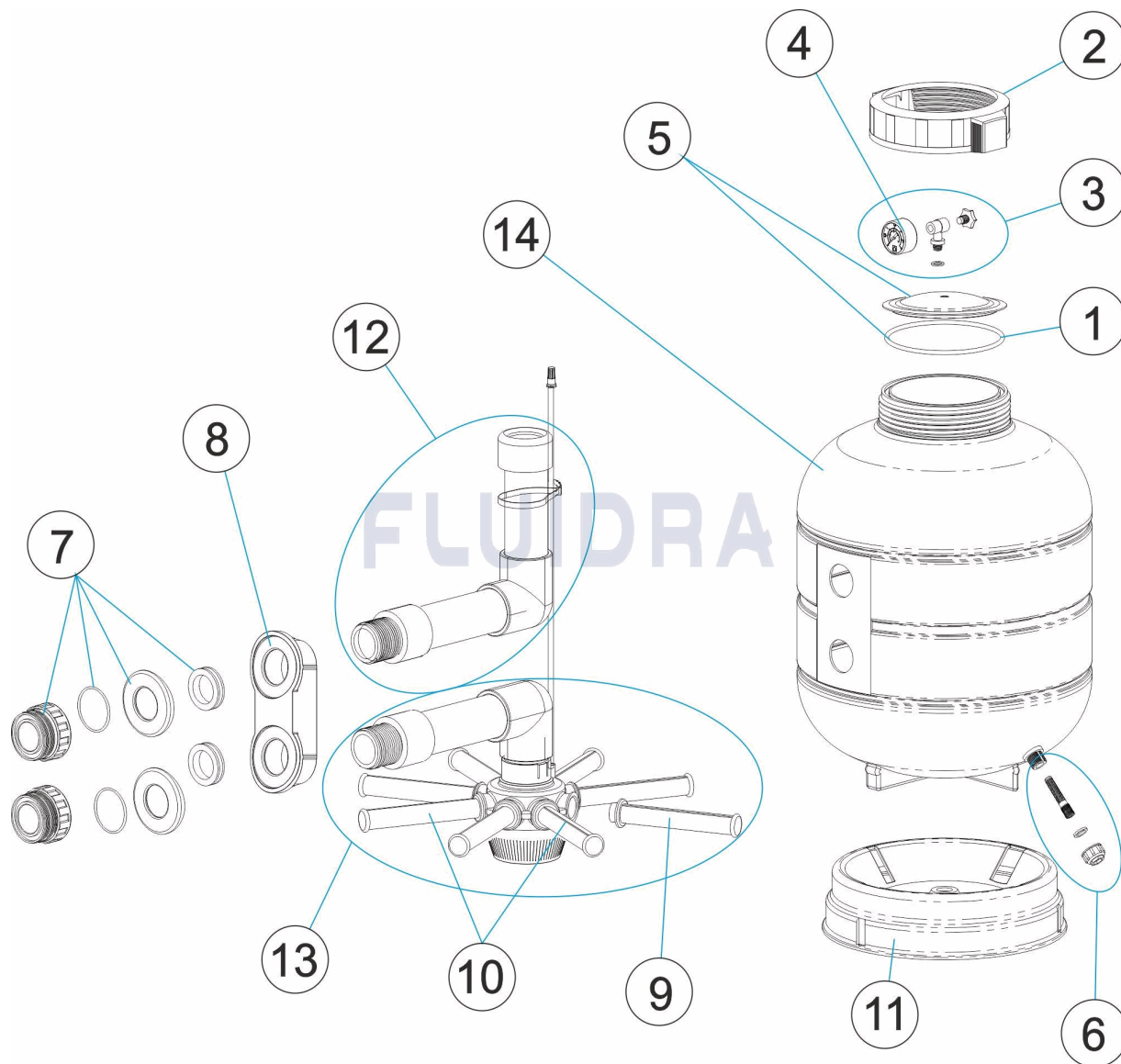
DESCRIPCION: FILTRO ARENA MILLENIUM SALIDA LATERAL D. 380-430-480-560-660

OBSERVACIONES

| POS | CODIGO | OBSERVACIONES |
|-----|-----------------|--|
| 9 | * 4404300119 | PARA: 25296 [4UNIDADES], 27809 [4UNIDADES] |
| 9 | * 4404300120 | PARA: 25297 [4UNIDADES], 25298 [4UNIDADES] |
| 9 | * 4404300712 | PARA: 28252 [4UNIDADES] |
| 10 | * 4404010073 | PARA: 25296, 27809 |
| 10 | * 4404010074 | PARA: 25297, 25298 |
| 10 | * 4404010075 | PARA: 28252 |
| 11 | * 4404300107 | PARA: 25296, 27809 |
| 11 | * 4404300108 | PARA: 25297, 25298, 28252 |
| 12 | * 4404010257 | PARA: 27809 |
| 12 | * 4404010258 | PARA: 25296 |
| 12 | * 4404010259 | PARA: 25297 |
| 12 | * 4404010260 | PARA: 25298 |
| 12 | * 4404300122 | PARA: 28252 |
| 13 | * 4404300115 | PARA: 27809 |
| 13 | * 4404010261 | PARA: 25296 |
| 13 | * 4404010262 | PARA: 25297 |
| 13 | * 4404010263 | PARA: 25298 |
| 13 | * 4404010092 | PARA: 28252 |
| 14 | * 28295R0100-LR | PARA: 27809 |
| 14 | * 28296R0100-LR | PARA: 25296 |
| 14 | * 28297R0100-LR | PARA: 25297 |
| 14 | * 28298R0100-LR | PARA: 25298 |
| 14 | * 28299R0100-LR | PARA: 28252 |

CODE 25296, 25297, 25298, 27809, 28252

DESCRIPTION: FILTRE SABLE MILLENIUM SORTIE LATÉRALE D. 380-430-480-560-660



FRANCAIS

| POS | CODE | DESCRIPTION | QUANTITE | POS | CODE | DESCRIPTION | QUANTITE |
|-----|--------------|-------------------------------------|----------|-----|-----------------|----------------------------|----------|
| 1 | 4405010527 | JOINT 3 - 5,5 HP | | 11 | * 4404300108 | SOCLE FILTRE D 480/560 | |
| 2 | 4404180102 | ECROU DE COUVERCLE | | 12 | * 4404010257 | ENSEMBLE DIFFUSEUR D. 380 | |
| 3 | 4404220101 | MANOMETRE COMPLET | | 12 | * 4404010258 | ENSEMBLE DIFFUSEUR D. 430 | |
| 4 | 4404220102 | MANOMETRE 1/8" 3 KG./C " | | 12 | * 4404010259 | ENSEMBLE DIFFUSEUR D. 480 | |
| 5 | 4404180105 | COUVERCLE TRANSPARENT + JOINT | | 12 | * 4404010260 | ENSEMBLE DIFFUSEUR D. 560 | |
| 6 | 4404220103 | PURGE SABLE | | 12 | * 4404300122 | ENSEMBLE DIFFUSEUR D. 660 | |
| 7 | 4404220104 | RACCORD SORTIE + RENFORT | | 13 | * 4404300115 | ENSEMBLE COLLECTEUR D. 380 | |
| 8 | 4404220105 | RENFORT INTERIEUR | | 13 | * 4404010261 | ENSEMBLE COLLECTEUR D. 430 | |
| 9 | * 4404300119 | BRAS DE REPARTITEUR 3/4" 110M " | | 13 | * 4404010262 | ENSEMBLE COLLECTEUR D. 480 | |
| 9 | * 4404300120 | BRAS DE REPARTITEUR 3/4" 160M " | | 13 | * 4404010263 | ENSEMBLE COLLECTEUR D. 560 | |
| 9 | * 4404300712 | BRAS DE REPARTITEUR 3/4" 225M " | | 13 | * 4404010092 | ENSEMBLE COLLECTEUR D. 660 | |
| 10 | * 4404010073 | ENSEMBLE BRAS DE REPARTITEUR D. 35€ | | 14 | * 28295R0100-LR | CORPS FILTRE D. 380 | |
| 10 | * 4404010074 | ENSEMBLE BRAS DE REPARTITEUR D. 45€ | | 14 | * 28296R0100-LR | CORPS FILTRE D. 430 | |

CODE **25296, 25297, 25298, 27809, 28252**

DESCRIPTION: **FILTRE SABLE MILLENIUM SORTIE LATÉRALE D. 380-430-480-560-660**

| | | | | | |
|----|-----------------|-------------------------------------|----|-----------------|---------------------|
| 10 | * 4404010075 | ENSEMBLE BRAS DE REPARTITEUR D. 600 | 14 | * 28297R0100-LR | CORPS FILTRE D. 480 |
| 11 | * 4404300107 | SOCLE FILTRE D 380/430 | 14 | * 28298R0100-LR | CORPS FILTRE D. 560 |
| 14 | * 28299R0100-LR | CORPS FILTRE D. 660 | | | |

CODE **25296, 25297, 25298, 27809, 28252**

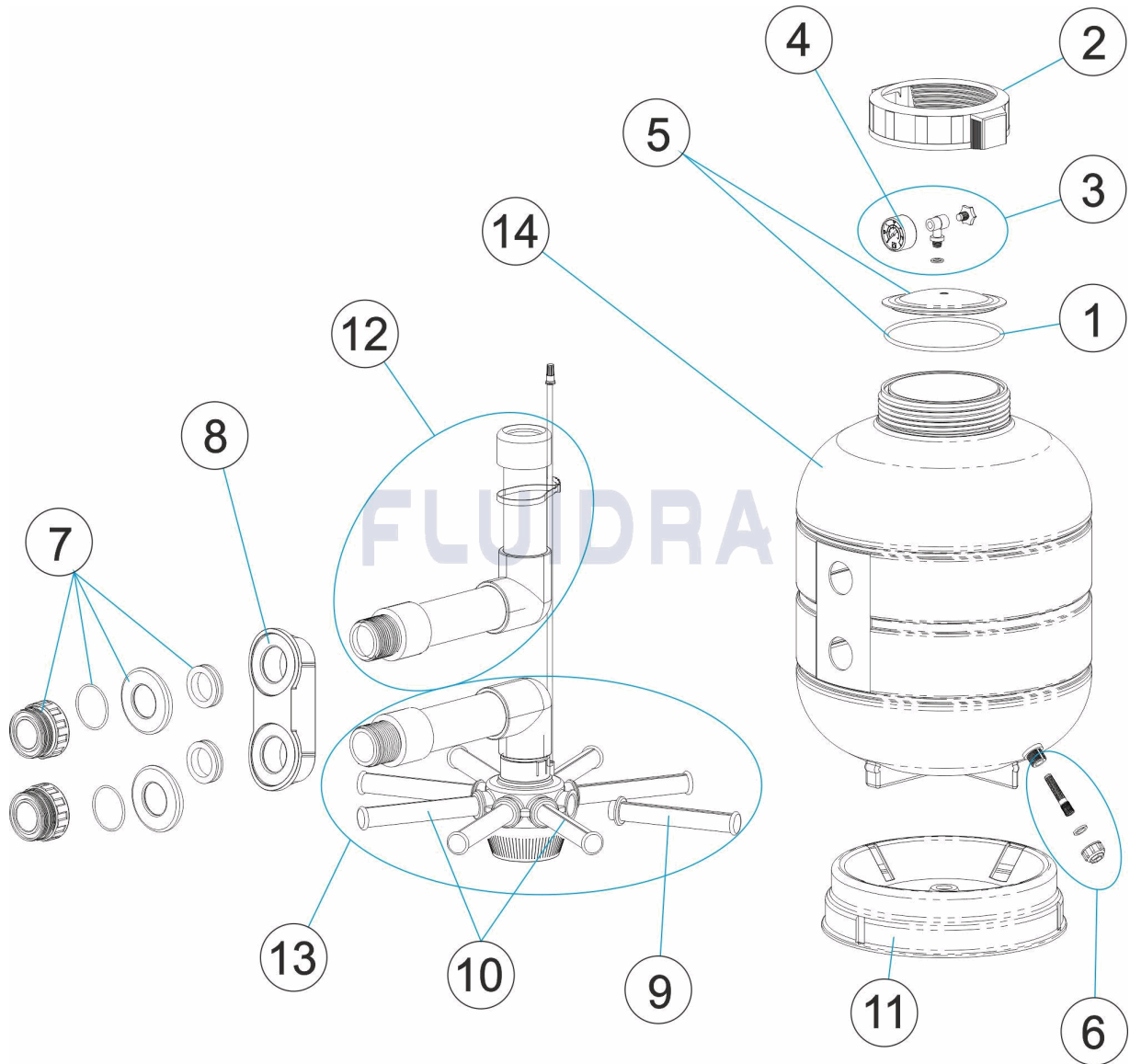
DESCRIPTION: **FILTRE SABLE MILLENIUM SORTIE LATÉRALE D. 380-430-480-560-660**

OBSERVATIONS

| POS | CODE | OBSERVATIONS |
|-----|-----------------|--------------------------------|
| 9 | * 4404300119 | POUR: 25296 [4UT], 27809 [4UT] |
| 9 | * 4404300120 | POUR: 25297 [4UT], 25298 [4UT] |
| 9 | * 4404300712 | POUR: 28252 [4UT] |
| 10 | * 4404010073 | POUR: 25296, 27809 |
| 10 | * 4404010074 | POUR: 25297, 25298 |
| 10 | * 4404010075 | POUR: 28252 |
| 11 | * 4404300107 | POUR: 25296, 27809 |
| 11 | * 4404300108 | POUR: 25297, 25298, 28252 |
| 12 | * 4404010257 | POUR: 27809 |
| 12 | * 4404010258 | POUR: 25296 |
| 12 | * 4404010259 | POUR: 25297 |
| 12 | * 4404010260 | POUR: 25298 |
| 12 | * 4404300122 | POUR: 28252 |
| 13 | * 4404300115 | POUR: 27809 |
| 13 | * 4404010261 | POUR: 25296 |
| 13 | * 4404010262 | POUR: 25297 |
| 13 | * 4404010263 | POUR: 25298 |
| 13 | * 4404010092 | POUR: 28252 |
| 14 | * 28295R0100-LR | POUR: 27809 |
| 14 | * 28296R0100-LR | POUR: 25296 |
| 14 | * 28297R0100-LR | POUR: 25297 |
| 14 | * 28298R0100-LR | POUR: 25298 |
| 14 | * 28299R0100-LR | POUR: 28252 |

CODE 25296, 25297, 25298, 27809, 28252

DESCRIPTION: MILLENIUM SAND FILTER SIDE OUTLET D. 380-430-480-560-660



ENGLISH

| POS | CODE | DESCRIPTION | QUANTITY | POS | CODE | DESCRIPTION | QUANTITY |
|-----|--------------|------------------------------------|----------|-----|-----------------|--------------------------|----------|
| 1 | 4405010527 | GASKETS 3 - 5,5 HP | | 11 | * 4404300108 | FILTER BASE D. 480/560 | |
| 2 | 4404180102 | THREADED LID COLLAR | | 12 | * 4404010257 | DIFFUSER ASSEMBLY D. 380 | |
| 3 | 4404220101 | COMPLETE PRESSURE GAUGE UNIT | | 12 | * 4404010258 | DIFFUSER ASSEMBLY D. 430 | |
| 4 | 4404220102 | PRESSURE GAUGE 1/8" 3 KG./C " | | 12 | * 4404010259 | DIFFUSER ASSEMBLY D. 480 | |
| 5 | 4404180105 | TRANSPARENT LID + 'O' RING | | 12 | * 4404010260 | DIFFUSER ASSEMBLY D. 560 | |
| 6 | 4404220103 | SAND PURGE | | 12 | * 4404300122 | DIFFUSER ASSEMBLY D. 660 | |
| 7 | 4404220104 | OUTLET FITTING + REINFORCEMENT | | 13 | * 4404300115 | MANIFOLD ASSEMBLY D. 380 | |
| 8 | 4404220105 | INNER REINFORCEMENT | | 13 | * 4404010261 | MANIFOLD ASSEMBLY D. 430 | |
| 9 | * 4404300119 | MANIFOLD ARM 3/4" 110 M " | | 13 | * 4404010262 | MANIFOLD ASSEMBLY D. 480 | |
| 9 | * 4404300120 | MANIFOLD ARM 3/4" 160 M " | | 13 | * 4404010263 | MANIFOLD ASSEMBLY D. 560 | |
| 9 | * 4404300712 | MANIFOLD ARM 3/4" 225 M " | | 13 | * 4404010092 | MANIFOLD ASSEMBLY D. 660 | |
| 10 | * 4404010073 | MANIFOLD ARM ASSEMBLY D. 350 | | 14 | * 28295R0100-LR | BODY FILTER D.380 | |
| 10 | * 4404010074 | MANIFOLD ARM ASSEMBLY D. 450 - 500 | | 14 | * 28296R0100-LR | BODY FILTER D.430 | |

* SEE OBSERVATIONS SHEET

CODE **25296, 25297, 25298, 27809, 28252**

DESCRIPTION: **MILLENIUUM SAND FILTER SIDE OUTLET D. 380-430-480-560-660**

| | | | | | |
|----|-----------------|------------------------------|----|-----------------|-------------------|
| 10 | * 4404010075 | MANIFOLD ARM ASSEMBLY D. 600 | 14 | * 28297R0100-LR | BODY FILTER D.480 |
| 11 | * 4404300107 | FILTER BASE D. 380/430 | 14 | * 28298R0100-LR | BODY FILTER D.560 |
| 14 | * 28299R0100-LR | BODY FILTER D. 660 | | | |

CODE **25296, 25297, 25298, 27809, 28252**

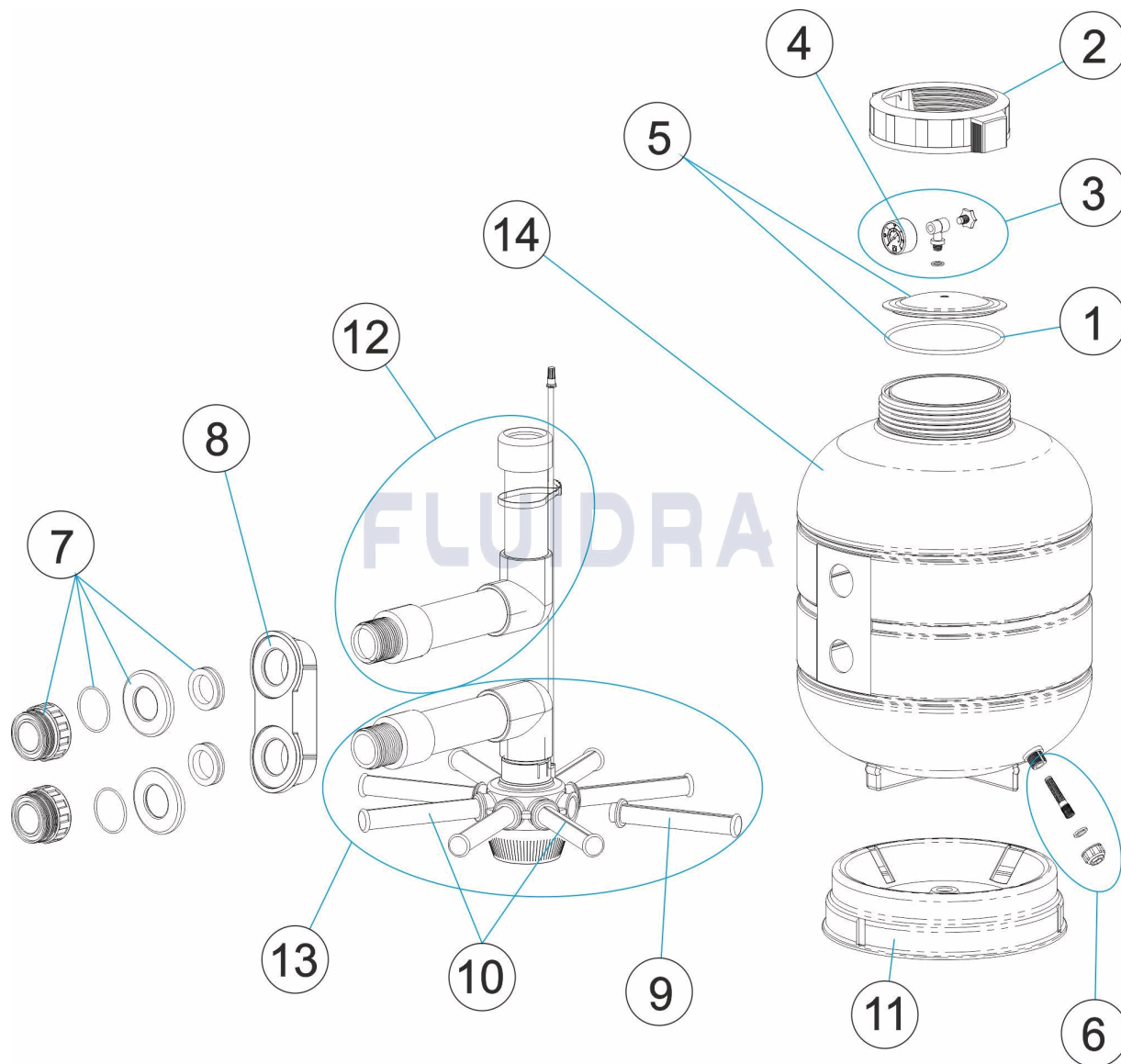
DESCRIPTION: **MILLENIUM SAND FILTER SIDE OUTLET D. 380-430-480-560-660**

OBSERVATIONS

| POS | CODE | OBSERVATIONS |
|-----|-----------------|-------------------------------|
| 9 | * 4404300119 | FOR: 25296 [4UT], 27809 [4UT] |
| 9 | * 4404300120 | FOR: 25297 [4UT], 25298 [4UT] |
| 9 | * 4404300712 | FOR: 28252 [4UT] |
| 10 | * 4404010073 | FOR: 25296, 27809 |
| 10 | * 4404010074 | FOR: 25297, 25298 |
| 10 | * 4404010075 | FOR: 28252 |
| 11 | * 4404300107 | FOR: 25296, 27809 |
| 11 | * 4404300108 | FOR: 25297, 25298, 28252 |
| 12 | * 4404010257 | FOR: 27809 |
| 12 | * 4404010258 | FOR: 25296 |
| 12 | * 4404010259 | FOR: 25297 |
| 12 | * 4404010260 | FOR: 25298 |
| 12 | * 4404300122 | FOR: 28252 |
| 13 | * 4404300115 | FOR: 27809 |
| 13 | * 4404010261 | FOR: 25296 |
| 13 | * 4404010262 | FOR: 25297 |
| 13 | * 4404010263 | FOR: 25298 |
| 13 | * 4404010092 | FOR: 28252 |
| 14 | * 28295R0100-LR | FOR: 27809 |
| 14 | * 28296R0100-LR | FOR: 25296 |
| 14 | * 28297R0100-LR | FOR: 25297 |
| 14 | * 28298R0100-LR | FOR: 25298 |
| 14 | * 28299R0100-LR | FOR: 28252 |

CODICE 25296, 25297, 25298, 27809, 28252

DESCRIZIONE: FILTRO SABBIA MILLENIUM USCITA LATERALE D. 380-430-480-560-660



ITALIANO

| POS | CODICE | DESCRIZIONE | QUANTITA' | POS | CODICE | DESCRIZIONE | QUANTITA' |
|-----|--------------|-------------------------------------|-----------|-----|-----------------|---------------------------|-----------|
| 1 | 4405010527 | GUARNIZIONI 3 - 5,5 HP | | 11 | * 4404300108 | BASE FILTRO D 480/560 | |
| 2 | 4404180102 | GHIERA COPERCHIO | | 12 | * 4404010257 | RACCORDO DIFFUSORE D. 380 | |
| 3 | 4404220101 | MANOMETRO COMPLETO | | 12 | * 4404010258 | RACCORDO DIFFUSORE D. 430 | |
| 4 | 4404220102 | MANOMETRO 1/8" 3 KG./C " | | 12 | * 4404010259 | RACCORDO DIFFUSORE D. 480 | |
| 5 | 4404180105 | COPERCHIO TRASPARENTE + O-RING | | 12 | * 4404010260 | RACCORDO DIFFUSORE D. 560 | |
| 6 | 4404220103 | SCARICO SABBIA | | 12 | * 4404300122 | RACCORDO DIFFUSORE D. 660 | |
| 7 | 4404220104 | RACCORDO USCITA + RINFORZO | | 13 | * 4404300115 | KIT COLLETTORE D. 380 | |
| 8 | 4404220105 | RINFORZO INTERNO | | 13 | * 4404010261 | KIT COLLETTORE D. 430 | |
| 9 | * 4404300119 | CANDELOTTO COLLETTORE 3/4" 110M " | | 13 | * 4404010262 | KIT COLLETTORE D. 480 | |
| 9 | * 4404300120 | CANDELOTTO COLLETTORE 3/4" 160M " | | 13 | * 4404010263 | KIT COLLETTORE D. 560 | |
| 9 | * 4404300712 | CANDELOTTO COLLETTORE 3/4" 225M " | | 13 | * 4404010092 | KIT COLLETTORE D. 660 | |
| 10 | * 4404010073 | GRUPPO CANDELOTTO COLLETTORE D. 380 | | 14 | * 28295R0100-LR | CORPO FILTRO D. 380 | |
| 10 | * 4404010074 | GRUPPO CANDELOTTO COLLETTORE D. 430 | | 14 | * 28296R0100-LR | CORPO FILTRO D. 430 | |

CODICE **25296, 25297, 25298, 27809, 28252**

DESCRIZIONE: **FILTRO SABBIA MILLENIUM USCITA LATERALE D. 380-430-480-560-660**

| | | | | | |
|----|-----------------|-----------------------------------|----|-----------------|---------------------|
| 10 | * 4404010075 | GRUPPO CANDELOTTO COLLECTORE D. € | 14 | * 28297R0100-LR | CORPO FILTRO D. 480 |
| 11 | * 4404300107 | BASE FILTRO D 380/430 | 14 | * 28298R0100-LR | CORPO FILTRO D. 560 |
| 14 | * 28299R0100-LR | CORPO FILTRO D. 660 | | | |

CODICE 25296, 25297, 25298, 27809, 28252

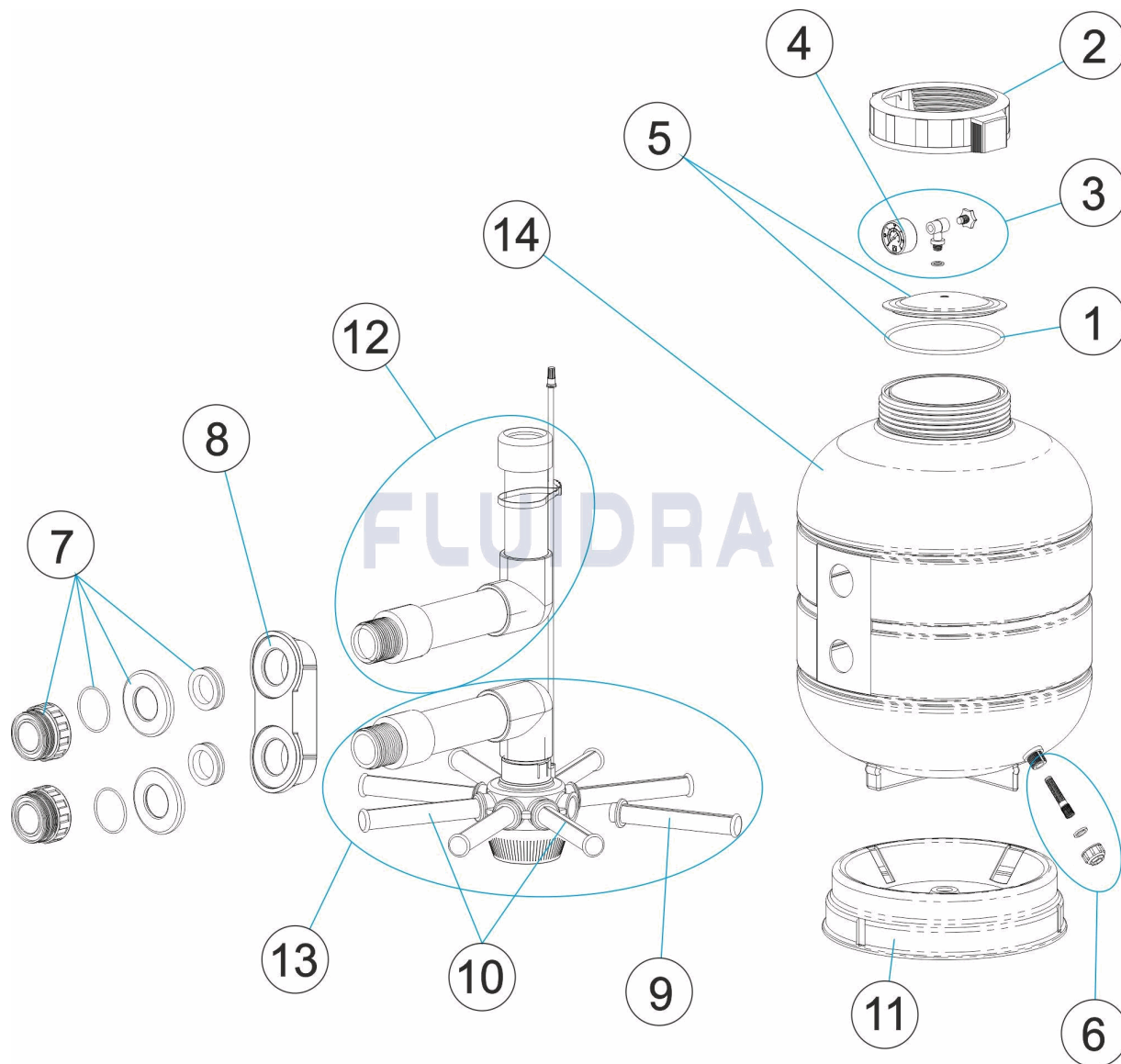
DESCRIZIONE: FILTRO SABBIA MILLENIUM USCITA LATERALE D. 380-430-480-560-660

OSSERVAZIONI

| POS | CODICE | OSSERVAZIONI |
|-----|-----------------|-------------------------------|
| 9 | * 4404300119 | PER: 25296 [4UT], 27809 [4UT] |
| 9 | * 4404300120 | PER: 25297 [4UT], 25298 [4UT] |
| 9 | * 4404300712 | PER: 28252 [4UT] |
| 10 | * 4404010073 | PER: 25296, 27809 |
| 10 | * 4404010074 | PER: 25297, 25298 |
| 10 | * 4404010075 | PER: 28252 |
| 11 | * 4404300107 | PER: 25296, 27809 |
| 11 | * 4404300108 | PER: 25297, 25298, 28252 |
| 12 | * 4404010257 | PER: 27809 |
| 12 | * 4404010258 | PER: 25296 |
| 12 | * 4404010259 | PER: 25297 |
| 12 | * 4404010260 | PER: 25298 |
| 12 | * 4404300122 | PER: 28252 |
| 13 | * 4404300115 | PER: 27809 |
| 13 | * 4404010261 | PER: 25296 |
| 13 | * 4404010262 | PER: 25297 |
| 13 | * 4404010263 | PER: 25298 |
| 13 | * 4404010092 | PER: 28252 |
| 14 | * 28295R0100-LR | PER: 27809 |
| 14 | * 28296R0100-LR | PER: 25296 |
| 14 | * 28297R0100-LR | PER: 25297 |
| 14 | * 28298R0100-LR | PER: 25298 |
| 14 | * 28299R0100-LR | PER: 28252 |

CODE 25296, 25297, 25298, 27809, 28252

BESCHREIBUNG: FILTER SAND MILLENIUM AUSGANG SEITLICH D. 380-430-480-560-660



DEUTSCH

| POS | CODE | BESCHREIBUNG | MENGE | POS | CODE | BESCHREIBUNG | MENGE |
|-----|--------------|--------------------------------------|-------|-----|-----------------|----------------------------|-------|
| 1 | 4405010527 | GUMMIDICHTUNGEN 3 HP - 5,5 HP | | 11 | * 4404300108 | FILTERFUSS D. 480/560 | |
| 2 | 4404180102 | MUTTER ABDECKUNG | | 12 | * 4404010257 | SET WASSERVERTEILER D. 380 | |
| 3 | 4404220101 | MANOMETER KOMPLETT | | 12 | * 4404010258 | SET WASSERVERTEILER D. 430 | |
| 4 | 4404220102 | MANOMETER 1/8" 3 KG/C " | | 12 | * 4404010259 | SET WASSERVERTEILER D. 480 | |
| 5 | 4404180105 | ABDECKUNG TRANSPARENT UND DICHTU | | 12 | * 4404010260 | SET WASSERVERTEILER D. 560 | |
| 6 | 4404220103 | SANDENTLEERUNG | | 12 | * 4404300122 | SET WASSERVERTEILER D. 660 | |
| 7 | 4404220104 | GEWINDESTÜCK AUSGANG MIT VERSTÄR | | 13 | * 4404300115 | SAMMELROHRSET D. 380 | |
| 8 | 4404220105 | INNENVERSTÄRKUNG | | 13 | * 4404010261 | SAMMELROHRSET D. 430 | |
| 9 | * 4404300119 | FILTERSTERN-SCHLITZROHR 3/4" 110M " | | 13 | * 4404010262 | SAMMELROHRSET D. 480 | |
| 9 | * 4404300120 | FILTERSTERN-SCHLITZROHR 3/4" 160 M " | | 13 | * 4404010263 | SAMMELROHRSET D. 560 | |
| 9 | * 4404300712 | FILTERSTERN-SCHLITZROHR 3/4" 225M " | | 13 | * 4404010092 | SAMMELROHRSET D. 660 | |
| 10 | * 4404010073 | SET FILTERSTERN-SCHLITZROHR D. 350 - | | 14 | * 28295R0100-LR | FILTERGEHÄUSE D. 380 | |
| 10 | * 4404010074 | SET FILTERSTERN-SCHLITZROHR D. 450 - | | 14 | * 28296R0100-LR | FILTERGEHÄUSE D. 430 | |

CODE **25296, 25297, 25298, 27809, 28252**

BESCHREIBUNG: **FILTER SAND MILLENIUM AUSGANG SEITLICH D. 380-430-480-560-660**

| | | | | | |
|----|-----------------|------------------------------------|----|-----------------|----------------------|
| 10 | * 4404010075 | SET FILTERSTERN-SCHLITZROHR D. 600 | 14 | * 28297R0100-LR | FILTERGEHÄUSE D. 480 |
| 11 | * 4404300107 | FILTERFUSS D. 380/430 | 14 | * 28298R0100-LR | FILTERGEHÄUSE D. 560 |
| 14 | * 28299R0100-LR | FILTERGEHÄUSE D. 660 | | | |

CODE **25296, 25297, 25298, 27809, 28252**

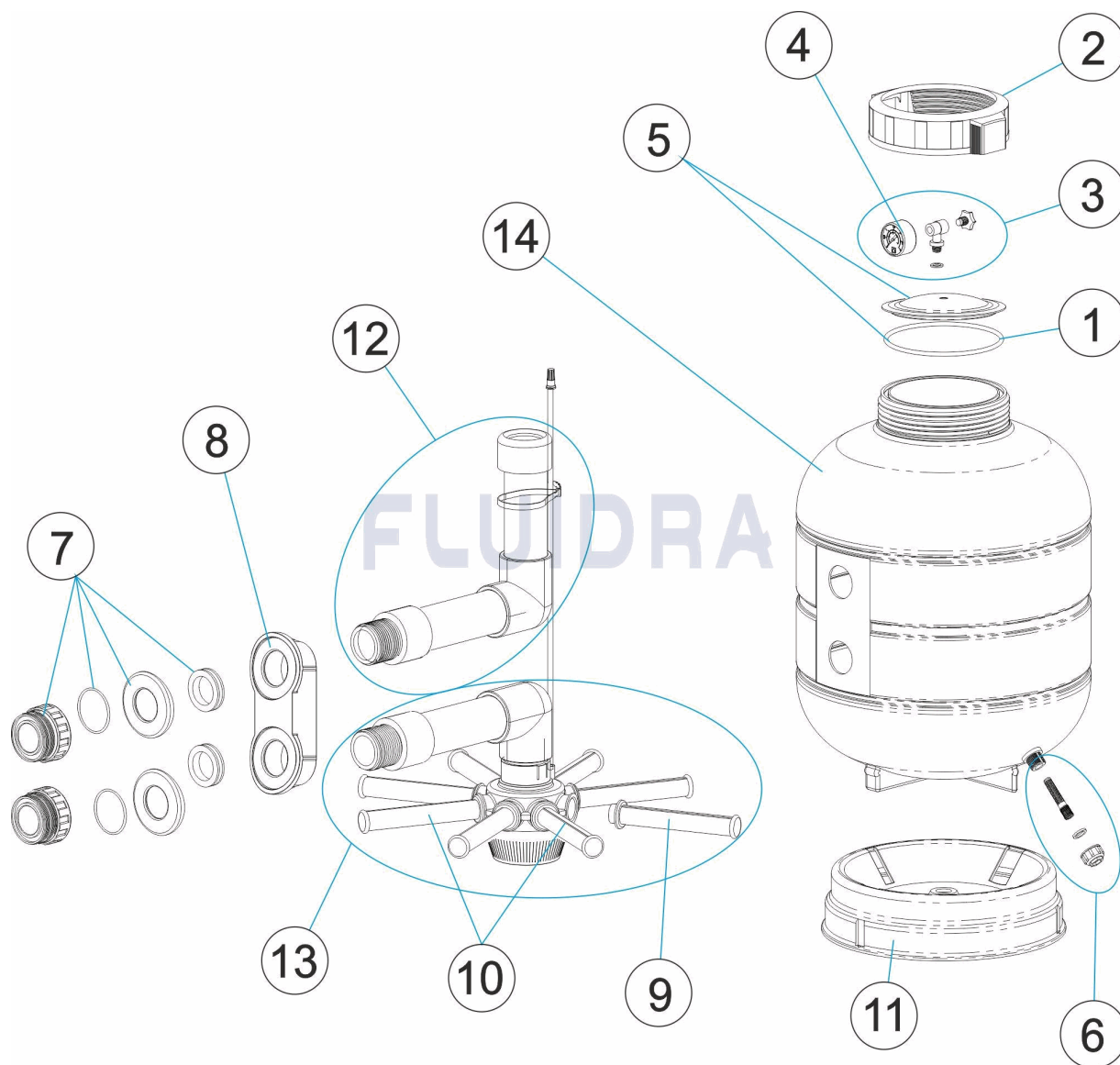
BESCHREIBUNG: **FILTER SAND MILLENIUM AUSGANG SEITLICH D. 380-430-480-560-660**

HINWEISE

| POS | CODE | HINWEISE |
|-----|-----------------|-------------------------------|
| 9 | * 4404300119 | FÜR: 25296 [4UT], 27809 [4UT] |
| 9 | * 4404300120 | FÜR: 25297 [4UT], 25298 [4UT] |
| 9 | * 4404300712 | FÜR: 28252 [4UT] |
| 10 | * 4404010073 | FÜR: 25296, 27809 |
| 10 | * 4404010074 | FÜR: 25297, 25298 |
| 10 | * 4404010075 | FÜR: 28252 |
| 11 | * 4404300107 | FÜR: 25296, 27809 |
| 11 | * 4404300108 | FÜR: 25297, 25298, 28252 |
| 12 | * 4404010257 | FÜR: 27809 |
| 12 | * 4404010258 | FÜR: 25296 |
| 12 | * 4404010259 | FÜR: 25297 |
| 12 | * 4404010260 | FÜR: 25298 |
| 12 | * 4404300122 | FÜR: 28252 |
| 13 | * 4404300115 | FÜR: 27809 |
| 13 | * 4404010261 | FÜR: 25296 |
| 13 | * 4404010262 | FÜR: 25297 |
| 13 | * 4404010263 | FÜR: 25298 |
| 13 | * 4404010092 | FÜR: 28252 |
| 14 | * 28295R0100-LR | FÜR: 27809 |
| 14 | * 28296R0100-LR | FÜR: 25296 |
| 14 | * 28297R0100-LR | FÜR: 25297 |
| 14 | * 28298R0100-LR | FÜR: 25298 |
| 14 | * 28299R0100-LR | FÜR: 28252 |

CODIGO **25296, 25297, 25298, 27809, 28252**

DESCRICAÇÃO: **FILTRO ARENA MILLENIUM SAÍDA LATERAL D. 380-430-480-560-660**



PORTUGUES

| POS | CODIGO | DESCRICAÇÃO | JANTIDADE | POS | CODIGO | DESCRICAÇÃO | JANTIDADE |
|-----|--------------|-----------------------------------|-----------|-----|-----------------|-----------------------|-----------|
| 1 | 4405010527 | JUNTAS BORRACHA 3 - 5,5 HP | | 11 | * 4404300108 | PÉ FILTRO D 480/560 | |
| 2 | 4404180102 | PORCA TAMPA | | 12 | * 4404010257 | CJTO. DIFUSOR D. 380 | |
| 3 | 4404220101 | MANÓMETRO COMPLETO | | 12 | * 4404010258 | CJTO. DIFUSOR D. 430 | |
| 4 | 4404220102 | MANOMETRO 1/8" 3 KG./C " | | 12 | * 4404010259 | CJTO. DIFUSOR D. 480 | |
| 5 | 4404180105 | TAMPA TRANSPARENTE + JUNTA | | 12 | * 4404010260 | CJTO. DIFUSOR D. 560 | |
| 6 | 4404220103 | PURGA AREIA | | 12 | * 4404300122 | CJTO. DIFUSOR D. 660 | |
| 7 | 4404220104 | ACOPLADOR SAÍDA + REFORÇO | | 13 | * 4404300115 | CJTO. COLECTOR D. 380 | |
| 8 | 4404220105 | REFORÇO INTERIOR | | 13 | * 4404010261 | CJTO. COLECTOR D. 430 | |
| 9 | * 4404300119 | BRAÇO COLECTOR 3/4" 110M " | | 13 | * 4404010262 | CJTO. COLECTOR D. 480 | |
| 9 | * 4404300120 | BRAÇO COLECTOR 3/4" 160M " | | 13 | * 4404010263 | CJTO. COLECTOR D. 560 | |
| 9 | * 4404300712 | BRAÇO COLECTOR 3/4" 225M " | | 13 | * 4404010092 | CJTO. COLECTOR D. 660 | |
| 10 | * 4404010073 | CJTO. BRAÇO COLECTOR D. 350 | | 14 | * 28295R0100-LR | CORPO FILTRO D. 380 | |
| 10 | * 4404010074 | CJTO. BRAÇO COLECTOR D. 450 - 500 | | 14 | * 28296R0100-LR | CORPO FILTRO D. 430 | |

*** VEJA A FICHA DE OBSERVAÇÕES**

CODIGO 25296, 25297, 25298, 27809, 28252

DESCRIÇÃO: FILTRO ARENA MILLENIUM SAÍDA LATERAL D. 380-430-480-560-660

| | | | | | |
|----|-----------------|-----------------------------|----|-----------------|---------------------|
| 10 | * 4404010075 | CJTO. BRAÇO COLECTOR D. 600 | 14 | * 28297R0100-LR | CORPO FILTRO D. 480 |
| 11 | * 4404300107 | PÉ FILTRO D 380/430 | 14 | * 28298R0100-LR | CORPO FILTRO D. 560 |
| 14 | * 28299R0100-LR | CORPO FILTRO D. 660 | | | |

CODIGO 25296, 25297, 25298, 27809, 28252

DESCRIÇÃO: FILTRO ARENA MILLENIUM SAÍDA LATERAL D. 380-430-480-560-660

OBSERVAÇÕES

| POS | CODIGO | OBSERVAÇÕES |
|-----|-----------------|--------------------------------|
| 9 | * 4404300119 | PARA: 25296 [4UT], 27809 [4UT] |
| 9 | * 4404300120 | PARA: 25297 [4UT], 25298 [4UT] |
| 9 | * 4404300712 | PARA: 28252 [4UT] |
| 10 | * 4404010073 | PARA: 25296, 27809 |
| 10 | * 4404010074 | PARA: 25297, 25298 |
| 10 | * 4404010075 | PARA: 28252 |
| 11 | * 4404300107 | PARA: 25296, 27809 |
| 11 | * 4404300108 | PARA: 25297, 25298, 28252 |
| 12 | * 4404010257 | PARA: 27809 |
| 12 | * 4404010258 | PARA: 25296 |
| 12 | * 4404010259 | PARA: 25297 |
| 12 | * 4404010260 | PARA: 25298 |
| 12 | * 4404300122 | PARA: 28252 |
| 13 | * 4404300115 | PARA: 27809 |
| 13 | * 4404010261 | PARA: 25296 |
| 13 | * 4404010262 | PARA: 25297 |
| 13 | * 4404010263 | PARA: 25298 |
| 13 | * 4404010092 | PARA: 28252 |
| 14 | * 28295R0100-LR | PARA: 27809 |
| 14 | * 28296R0100-LR | PARA: 25296 |
| 14 | * 28297R0100-LR | PARA: 25297 |
| 14 | * 28298R0100-LR | PARA: 25298 |
| 14 | * 28299R0100-LR | PARA: 28252 |